

Technical Specifications

General

Power Supply	:	10.8 - 16.0V
Quiescent Current	:	1mA
Fuse	:	7.5A (DC532, DC522)
	:	5A (DC512)

Radio

FM	:	87.5 - 108MHz, grid : 100kHz (manual/search)
LW	:	144 - 288kHz, grid : 1kHz (manual/search)
MW	:	522 - 1602kHz, grid : 9kHz (manual/search)
SW *)	:	5950 - 6250MHz, grid : 1kHz (manual/search)
IF	:	10.7MHz
Search Tuning Sensitivity	:	14 ± 4µV (AM)
	:	15 ± 5µV (FM)
Search Tuning Time	:	5 seconds (AM/FM)
α - 3dB	:	7 ± 3µV
Crosstalk	:	≥ 30dB
Signal Dependent Response	:	6 ± 1dB
Signal Dependent Stereo	:	100 - 200µV

Amplifier

Output Power (D=10%)	:	4x7W ± 1dB/4Ω
Loudness	:	8 ± 2dB at 60Hz
Bass	:	23 ± 3dB at 60Hz
Treble	:	10 ± 2dB at 10kHz
Line out	:	750mV ± 2mV

Cassette Deck CDS-36PS (Auto Reverse)

Number of tracks	:	2 X 2
Tape speed	:	4.76 cm/sec. ± 2%
Wow and Flutter	:	≤ 0.3%
Fast wind	:	120 sec

*) Applicable only for DC532 (see table)

ESD



WARNING

All IC's and many semiconductors are susceptible to electronic discharges (ESD). Careless handling during repair can reduce life drastically.

When repairing, make sure that you are connected to the same potential as the mass of the set via a wrist wrap with resistance. Keep components and tools also at this potential.

Version	DC512	DC522	DC532
			✓
		✓	✓
			✓

Com

1

2

3

4

5

6

7

8

9

10

*) Or

#) N

Com

A1

A4

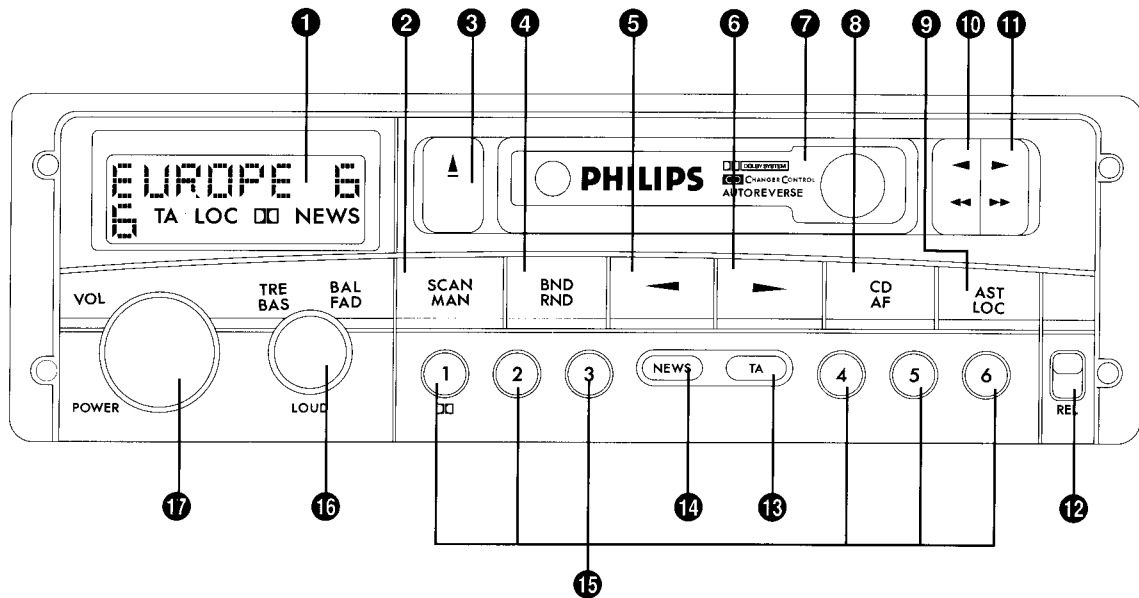
A5

A6

A7

A8

*) E

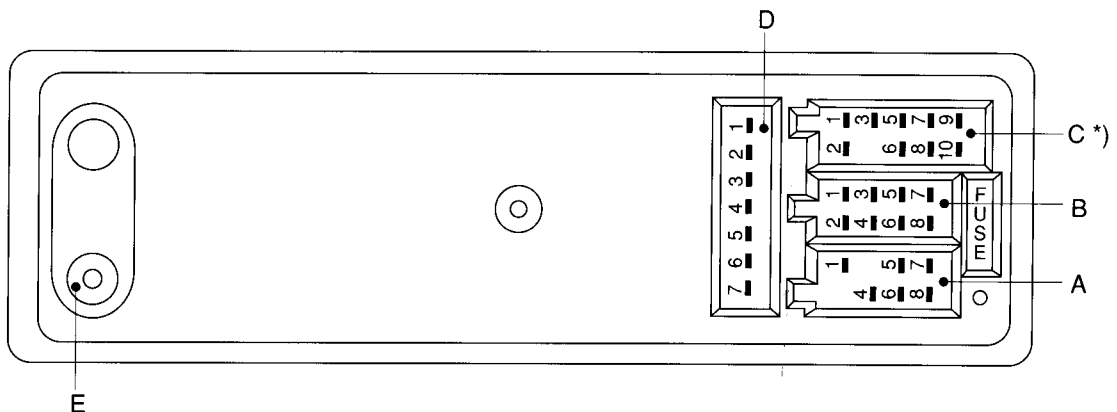


Controls

1	Liquid crystal Display	1710	11	FFW / FRW	
2	Scan / Manual	1063	12	Release Knob	
3	Eject		13	Traffic Announcement	1057
4	Band / Random *)	1062	14	News	1054
5	Search Down / Previous *)	1050	15	Preset Button 1-6	
6	Search Up / next *)	1061		P1 - Dolby B #)	
7	Cassette Compartment		16	Treble / Bass	3764
8	CD *) / Alternate Frequencies	1056		Fader / Balance / Loud	
9	AST / Local	1060	17	Power on/off / Volume	3763
10	FRW / FFW				

*) Only applicable for DC532 (see table)

#) Not applicable for DC512 (see table)



Connections

A1 : Telephone Mute	B1 : Rear Right +	C1 : D ² B GND	D1 : Remote Plus
A4 : Permanent Plus	B2 : Rear Right Return -	C2 : D ² B+	D2 : Booster Detect
A5 : Auto Antenna	B3 : Front Right +	C3 : D ² B-	D3 : Line-out GND
A6 : External Illumination	B4 : Front Right Return -	C5 : CDCC Supply	D4 : Line-out FR
A7 : Ignition on-off	B5 : Front Left +	C6 : GND	D5 : Line-out RR
A8 : Power GND	B6 : Front Left Return -	C7 : Switched +	D6 : Line-out FL
	B7 : Rear Left +	C8 : Line-In Right	D7 : Line-out RL
	B8 : Rear Left Return -	C9 : Line-in Left	
		C10 : Line-in Gnd	E : Aerial Connection

*) Block C only applicable for DC532 (see table)

Service Hints

Detachable Keyboard Unit

The Detachable Keyboard unit is part of the Car Radio. Hence it is necessary that the customer always bring the complete set (with detachable keyboard unit) when service is needed. This statement was also printed in the Instruction For Use.

Software

The software of the set is split into two parts: one in the front microprocessor (LCD Driver PCB) and the other one in the main microprocessor. Make sure that when changing a front or main microprocessor that both main and front are software compatible.

Software compatibility between front and main microprocessor can be verify by reading the 'checksum' of the microprocessor (main and front). A table stating the different checksum related to the software release and compatibility will be issued regularly in service newsletters.

To read the 'checksum' of microprocessor (main and front)

Power on the set, press simultaneously the preset 1 and preset 6 keys. Two 4 digits number appear on the display :

first 4 digits : checksum of the main microprocessor

second 4 digits : checksum of the front microprocessor

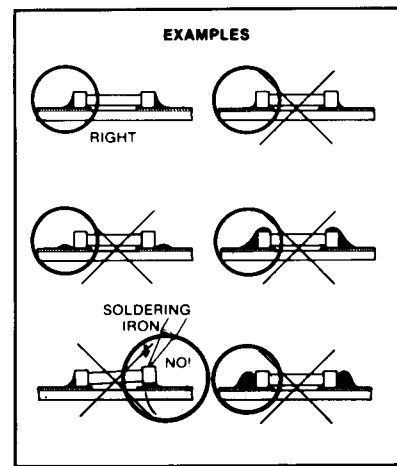
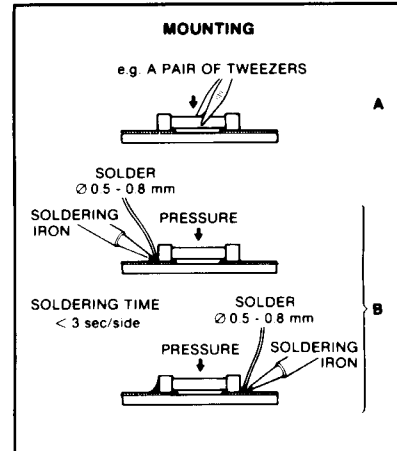
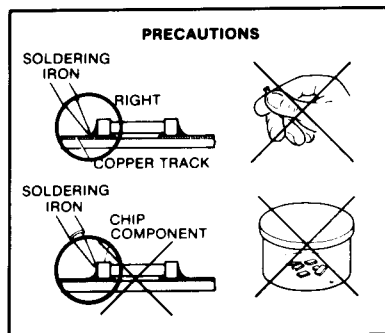
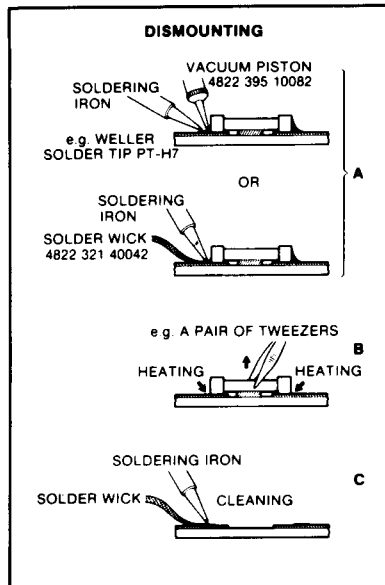
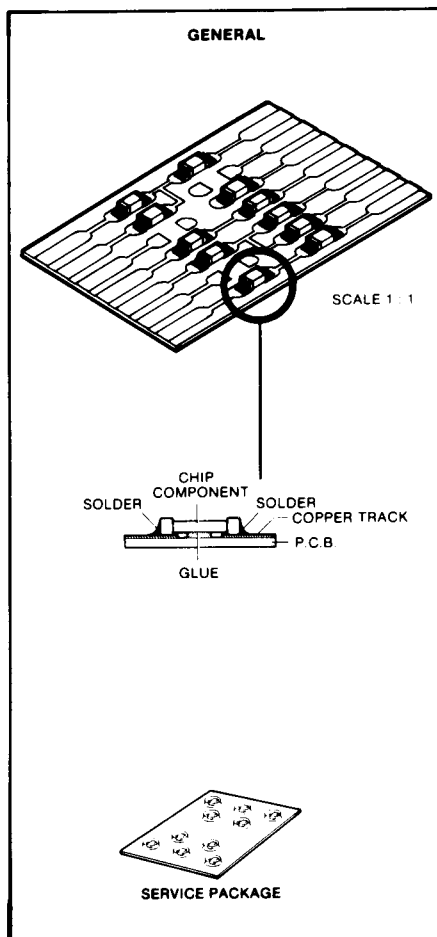
Set goes back to the normal mode after about 5 seconds. Power off and on will also reset the set to the normal mode.

General

For more information about the RDS-feature use the computerbased training course RDS, which is available at Philips Consumer Service. Contact Philips Consumer Service

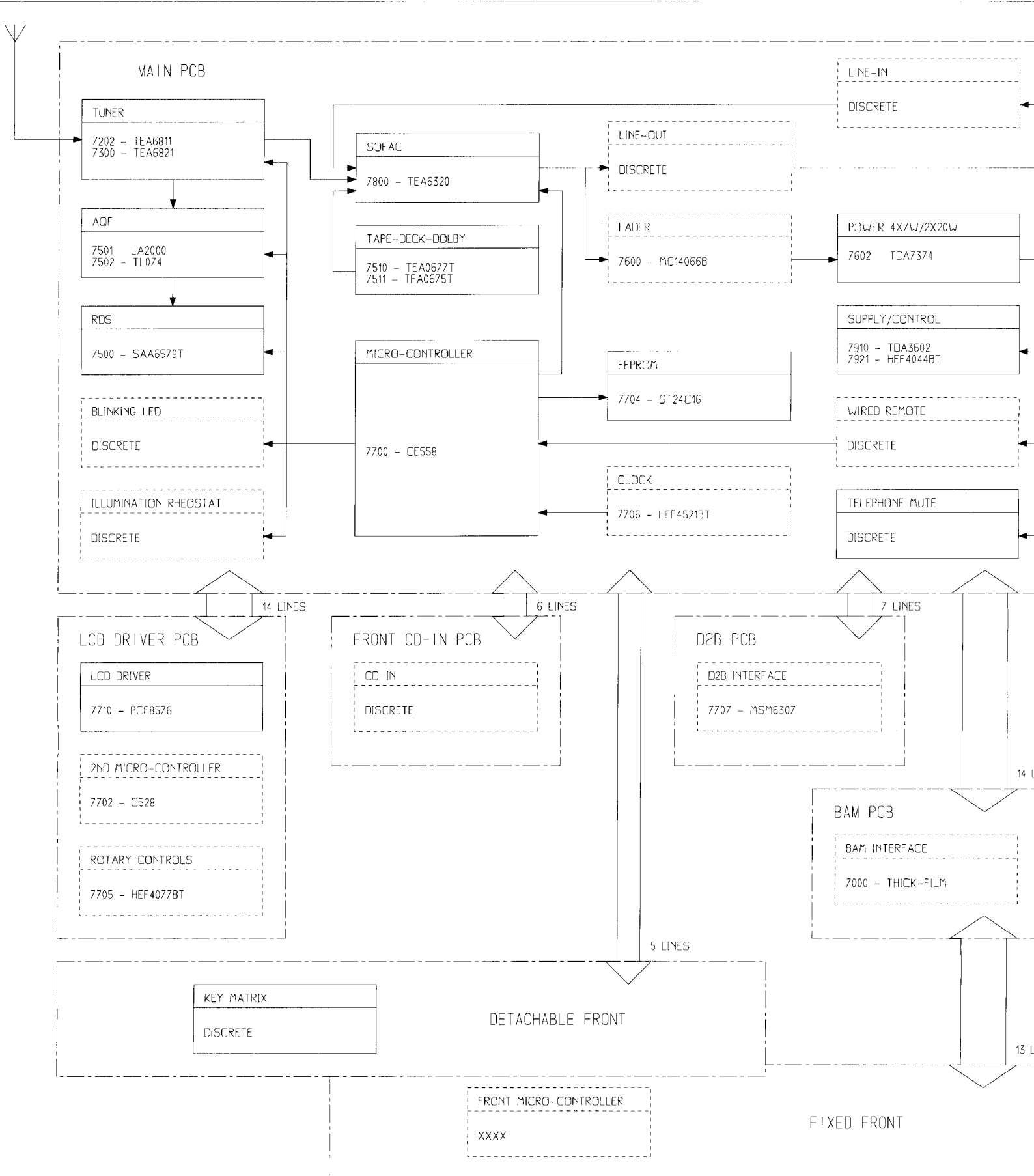
I.S.C. Training
 Building SBP6
 P.O. Box 218
 5600 MD Eindhoven
 The Netherlands
 Tel : 31-40-736294
 Fax : 31-40-733553
 Telex : NLMEVAB

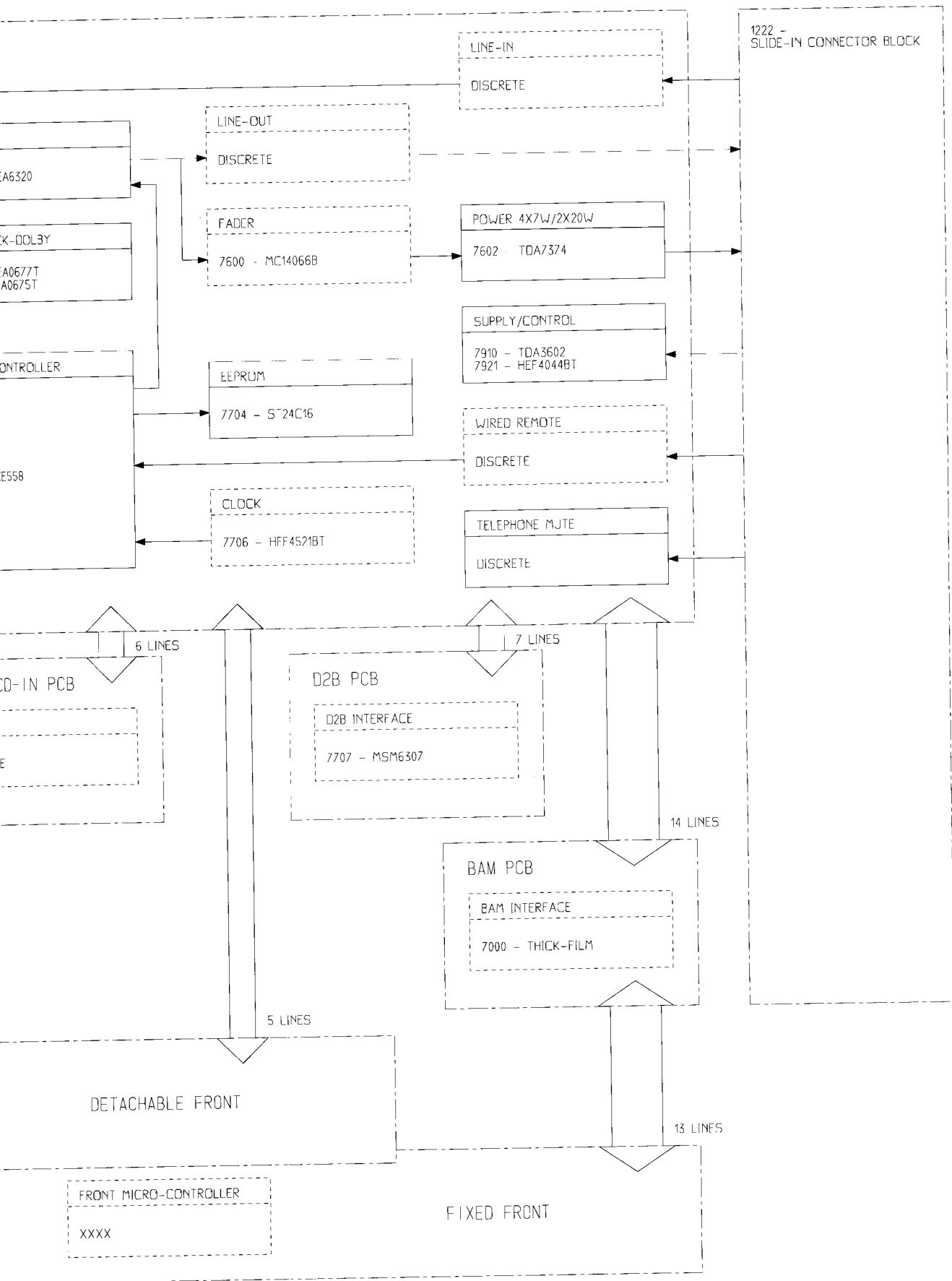
HANDLING CHIP COMPONENTS

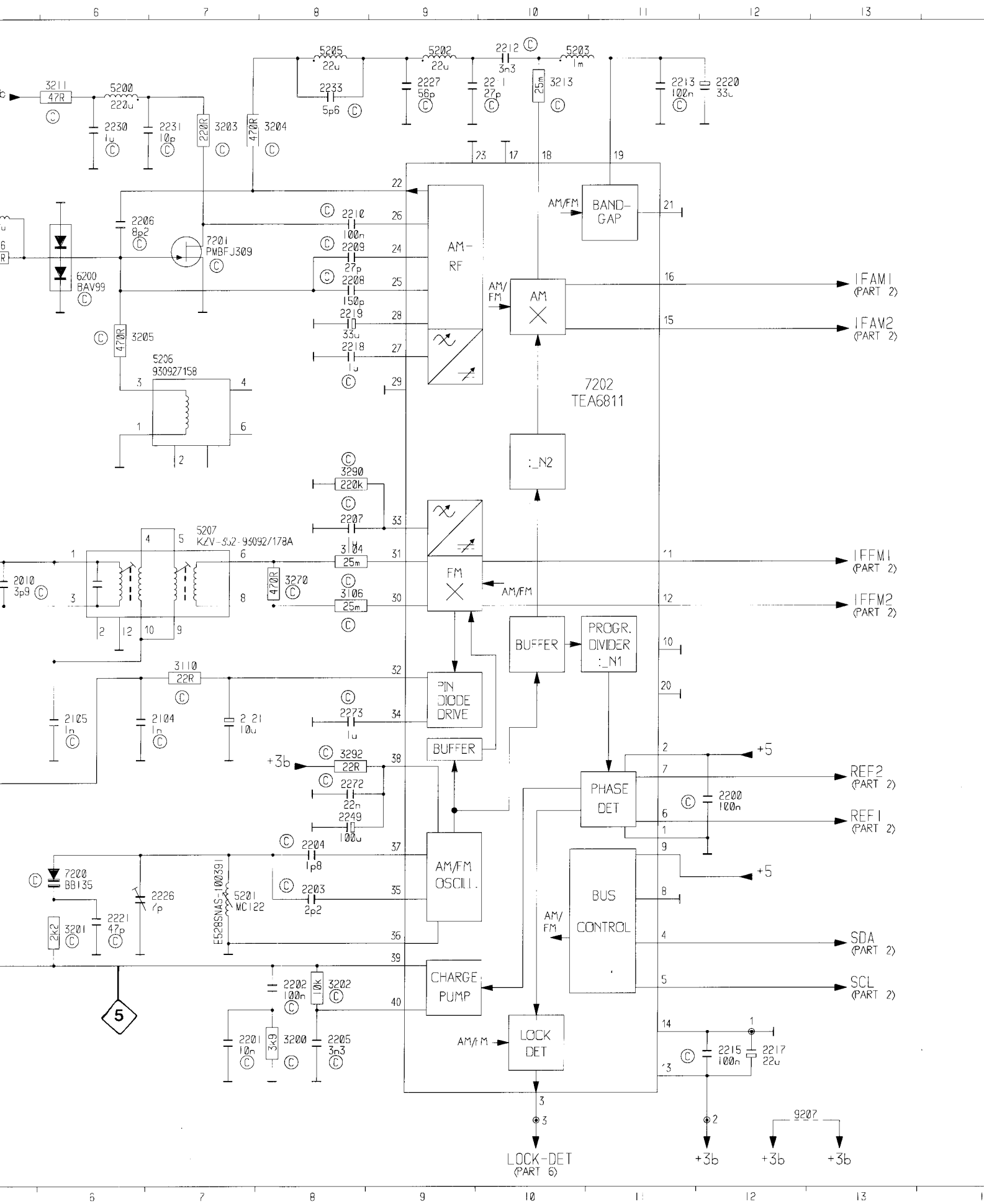


27 012C12

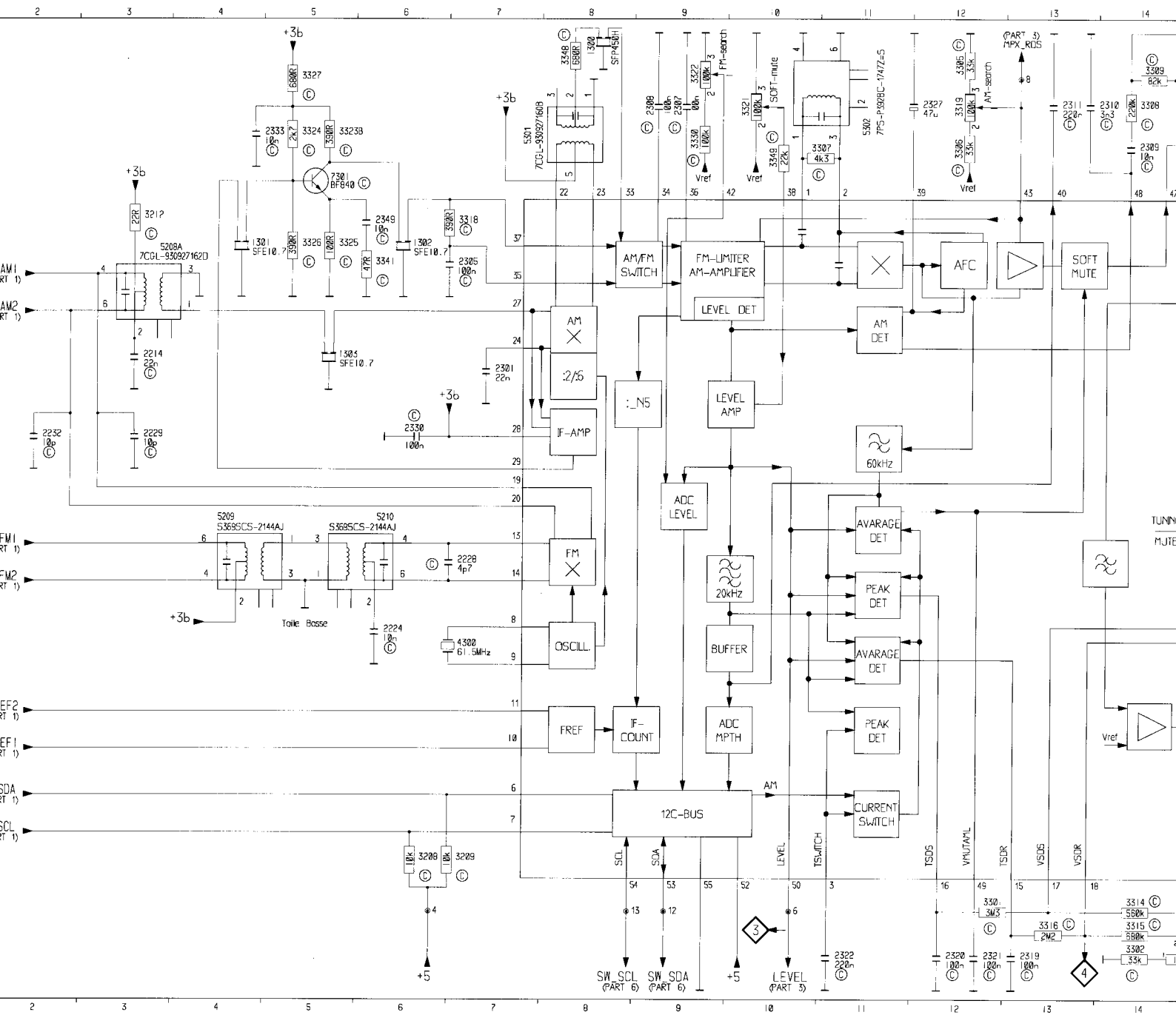
ARCHITECTURE

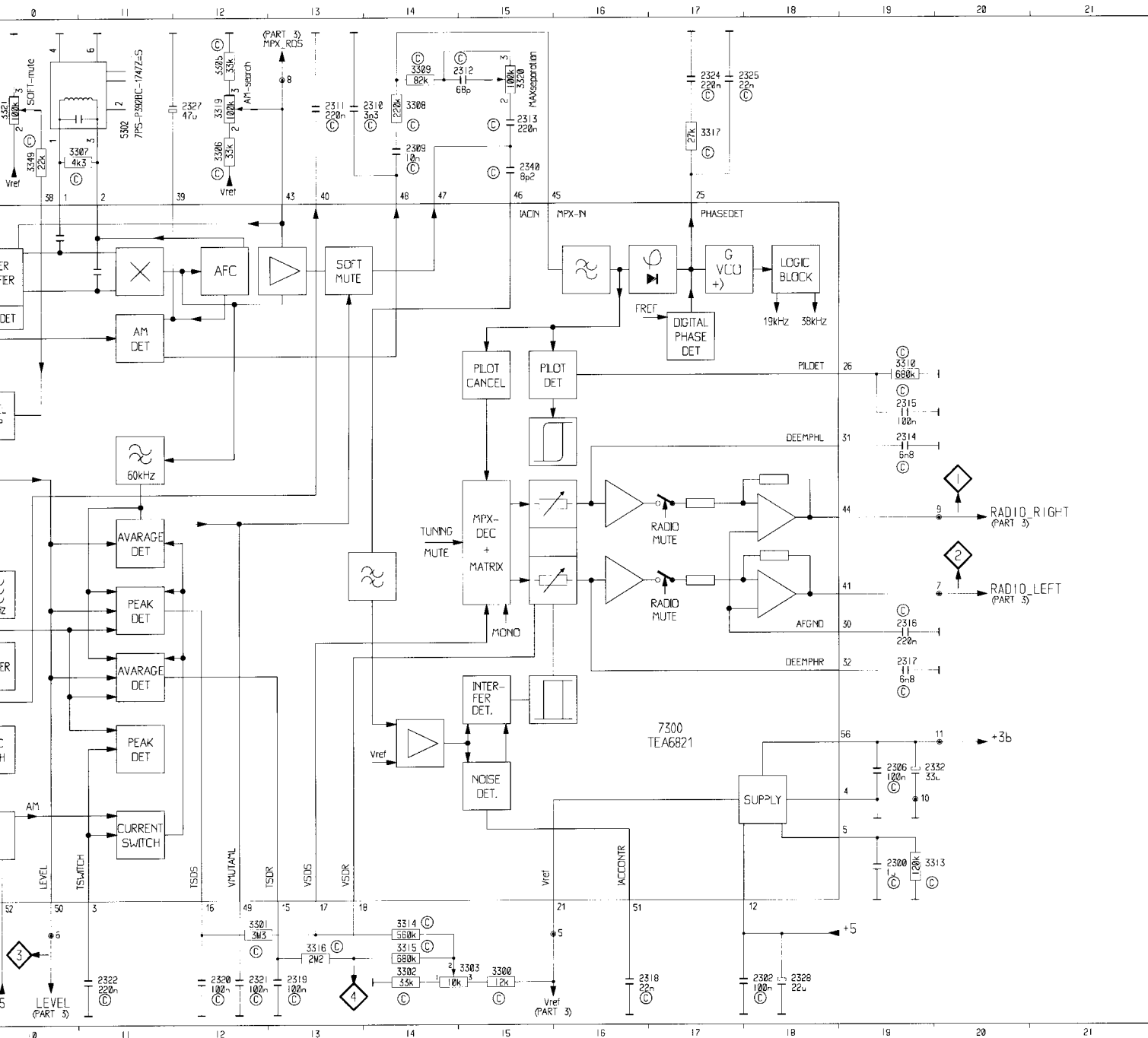






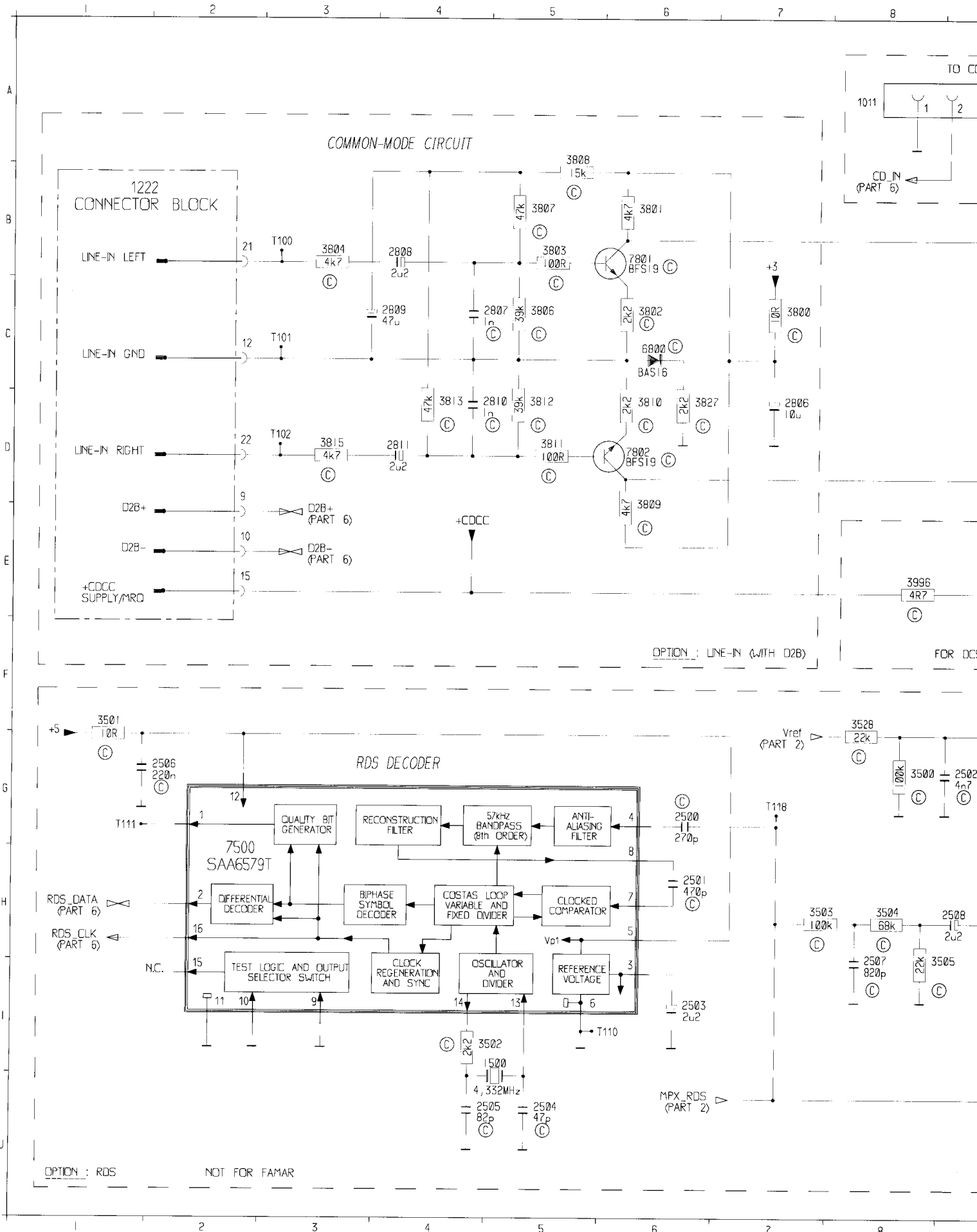
IC91 (MAIN PCB)

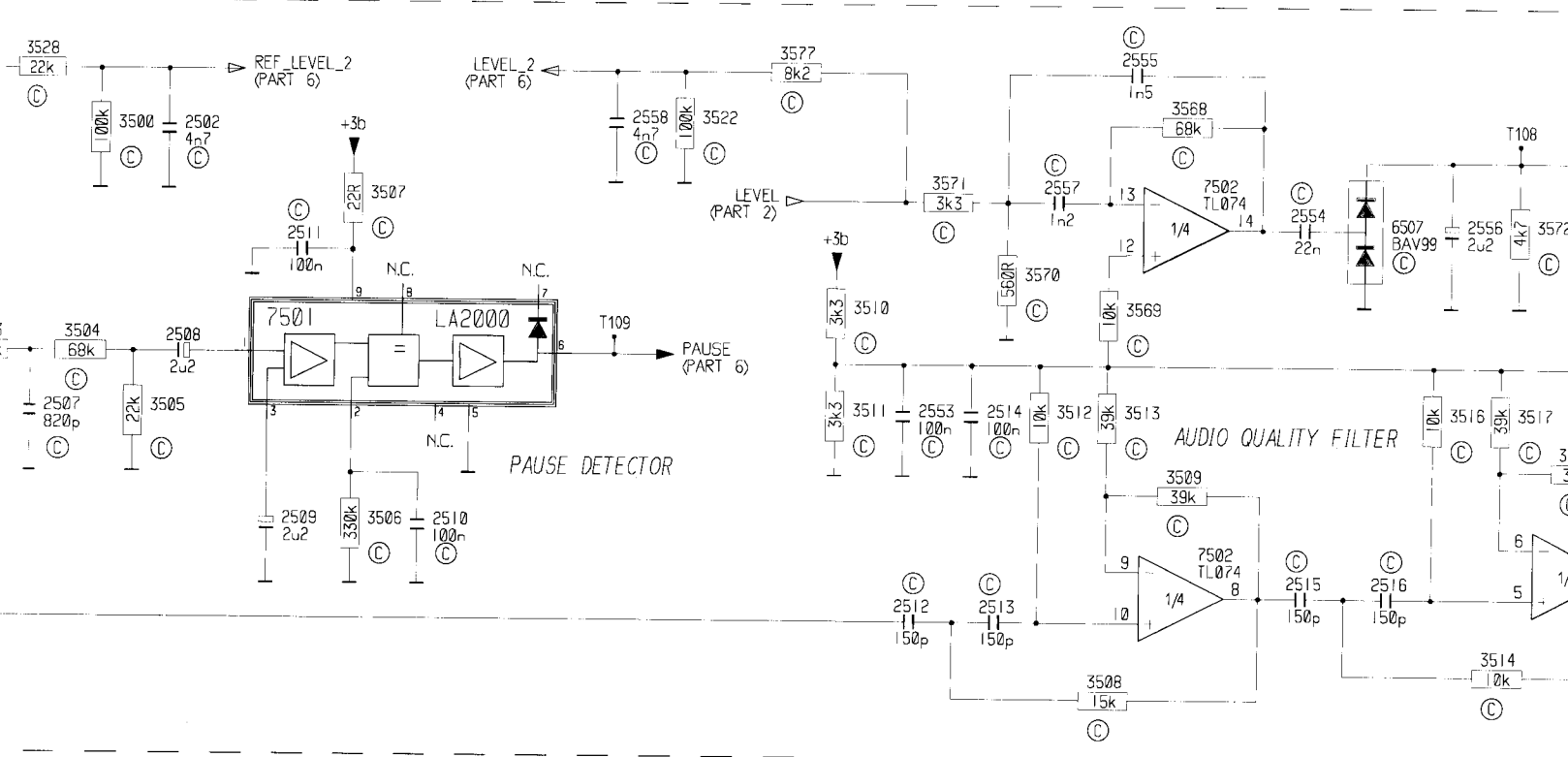
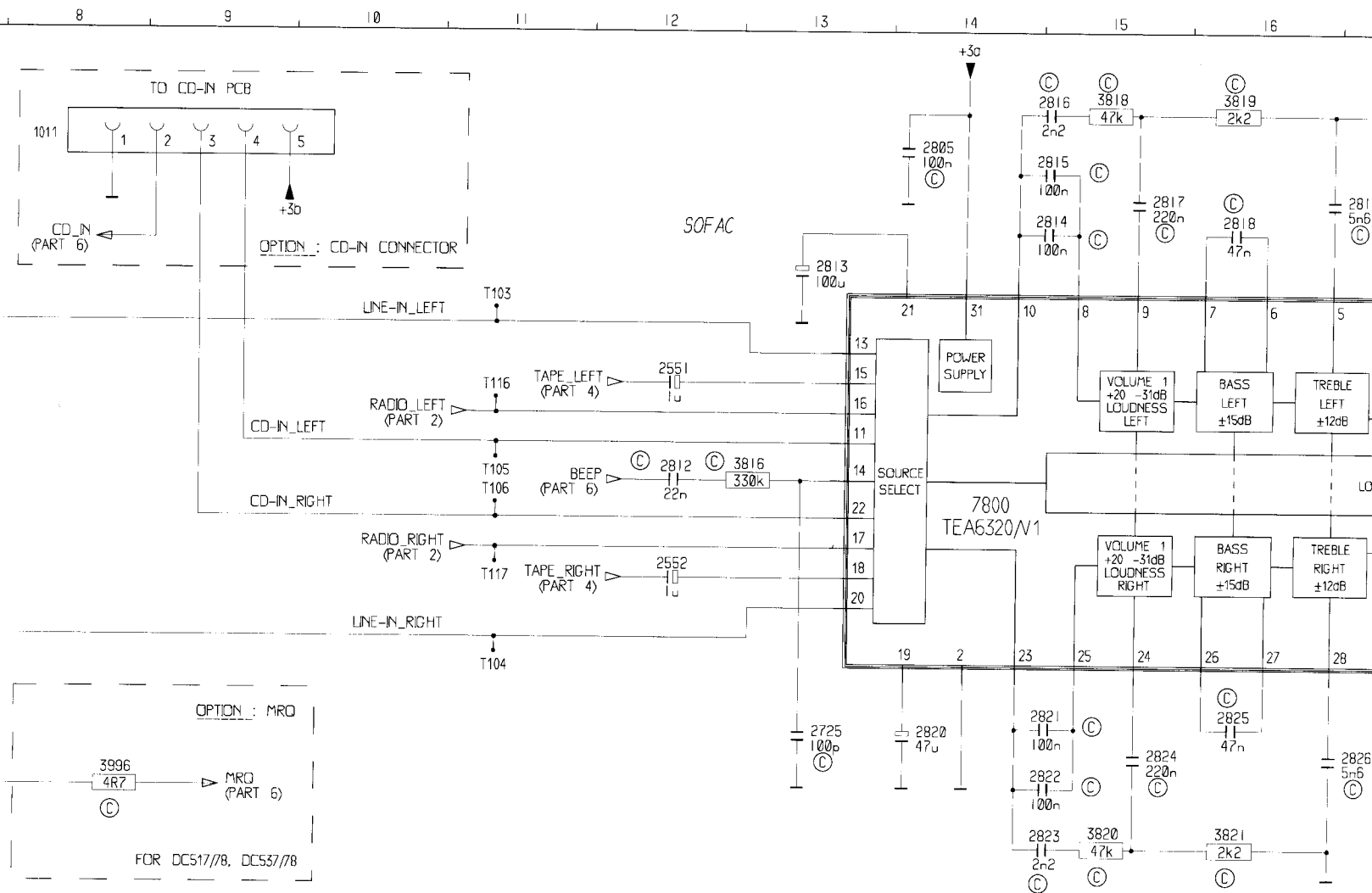


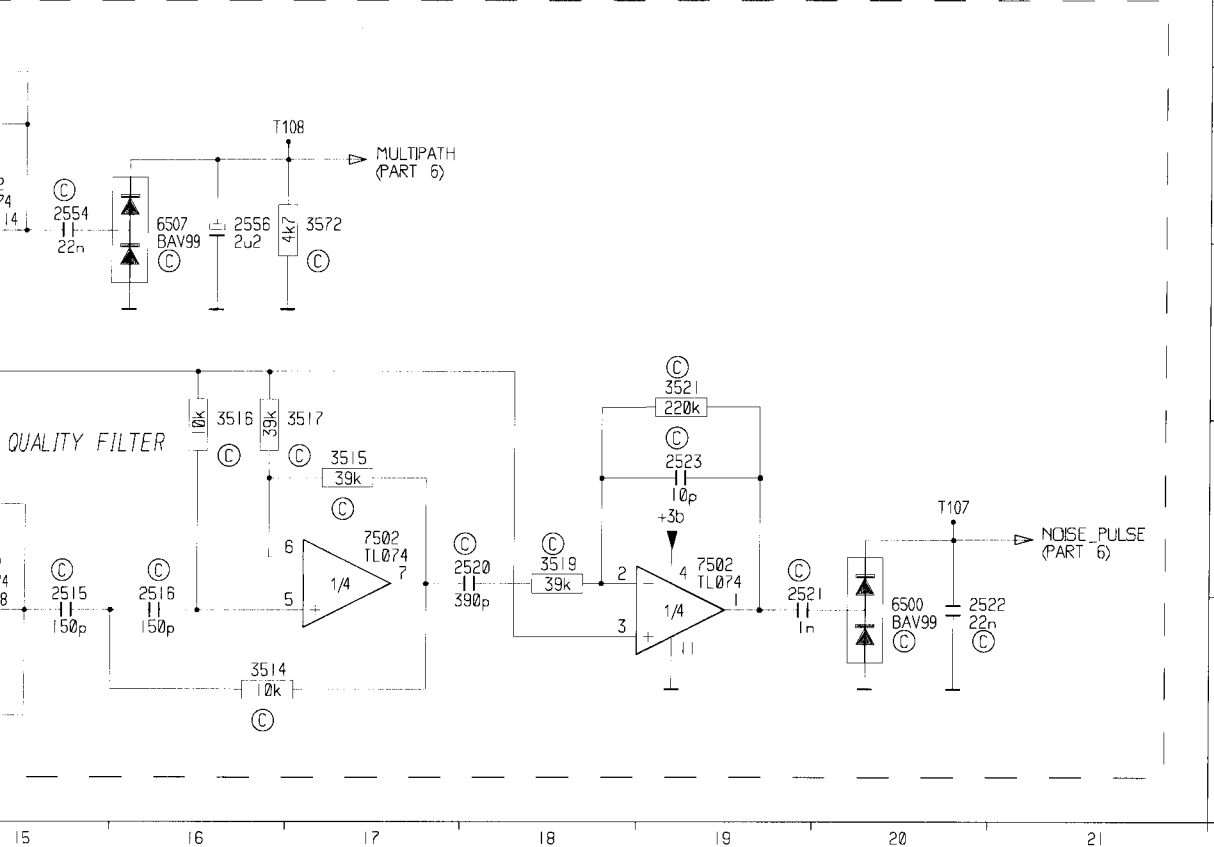
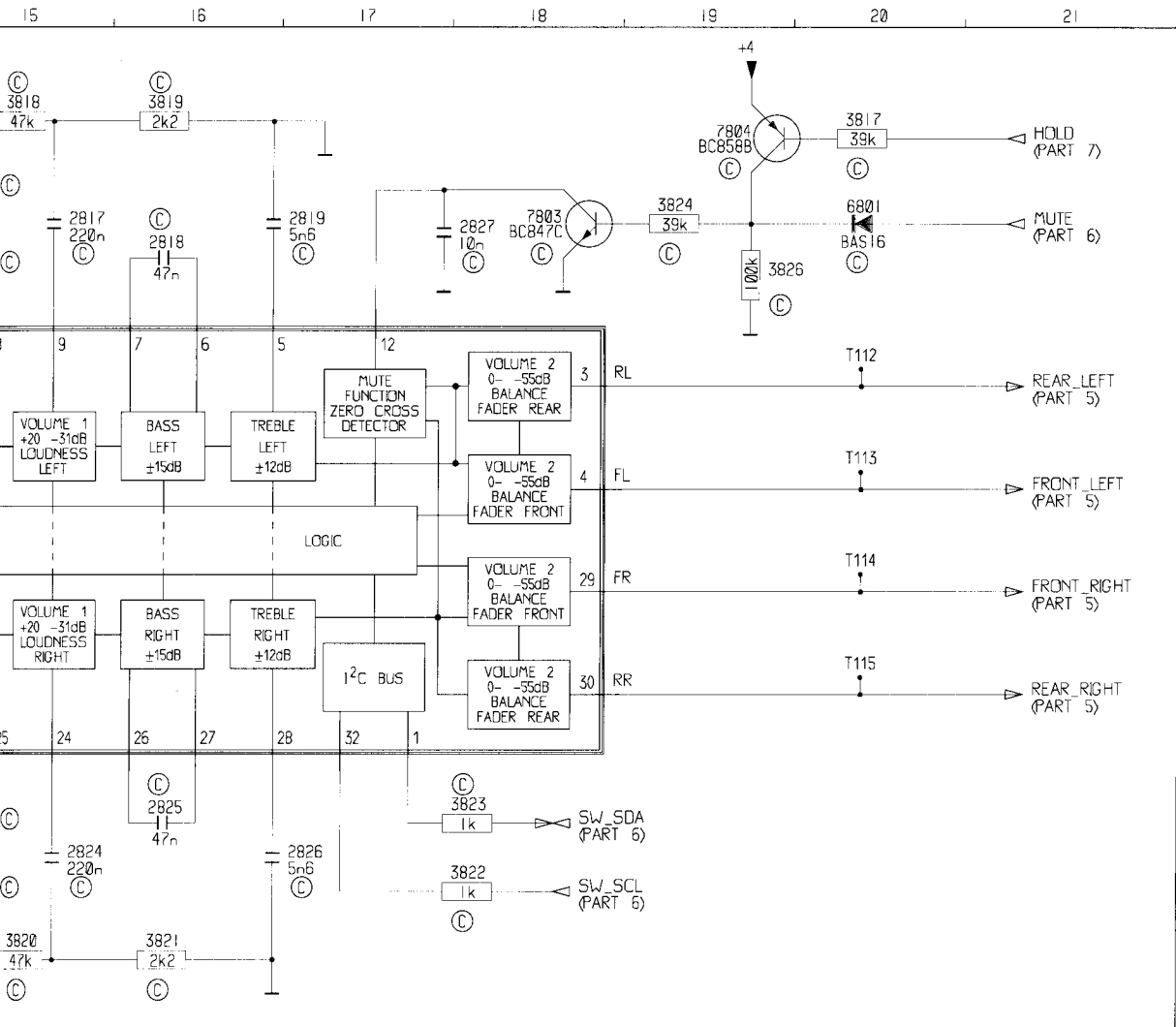


1300
1301
1302
1303
1304
1305
1306
1307
1308
1309
1310
1311
1312
1313
1314
1315
1316
1317
1318
1319
1320
1321
1322
1323
1324
1325
1326
1327
1328
1329
1330
1331
1332
1333
1334
1335
1336
1337
1338
1339
1340
1341
1342
1343
1344
1345
1346
1347
1348
1349
1350
1351
1352
1353
1354
1355
1356
1357
1358
1359
1360
1361
1362
1363
1364
1365
1366
1367
1368
1369
1370
1371
1372
1373
1374
1375
1376
1377
1378
1379
1380
1381
1382
1383
1384
1385
1386
1387
1388
1389
1390
1391
1392
1393
1394
1395
1396
1397
1398
1399
1400

PART 3 : RDS, SOFAC & LINE-IN INTERFACE (MAIN PCB)

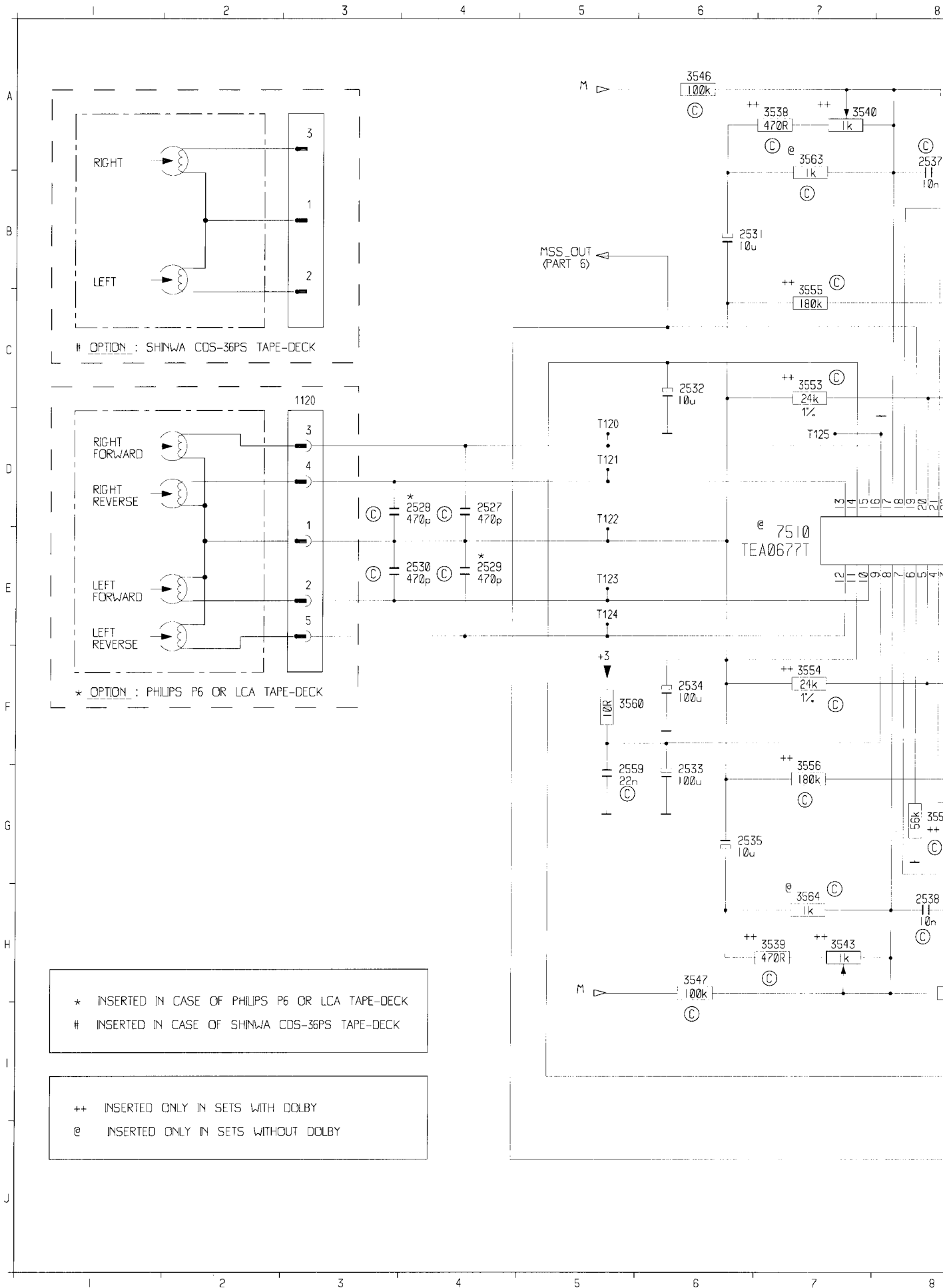






1000	A 8	
1011	A 8	
1222	B 1	6800 C 6
1500	I 5	6801 A20
2500	G 6	7500 H 2
2501	H 6	7501 H 9
2502	G 9	7502 G15
2503	I 5	7502 I17
2504	J 6	7502 J19
2505	J 5	7800 C14
2506	G 2	7502 B 6
2507	I 8	7802 D 6
2508	H 9	7801 B 6
2509	I 9	7802 A18
2510	I 10	7803 A18
2511	H 9	7804 A19
2512	J13	
2513	J13	
2514	J13	
2515	J15	
2516	J18	
2517	J18	
2518	J18	
2519	J20	
2520	J20	
2521	J19	
2522	C12	
2523	D12	
2524	I13	
2525	F14	
2526	G15	
2527	G14	
2528	G11	
2529	E13	
2530	A14	
2531	D 7	
2532	C 5	
2533	B 4	
2534	C 4	
2535	D 5	
2536	D 4	
2537	C 2	
2538	B 3	
2539	B 3	
2540	A15	
2541	A15	
2542	B17	
2543	A17	
2544	E14	
2545	E15	
2546	F15	
2547	E15	
2548	E16	
2549	E17	
2550	A18	
2551	F 8	
2552	F 7	
2553	H 7	
2554	H 8	
2555	I 9	
2556	I10	
2557	G10	
2558	J14	
2559	I15	
2560	H13	
2561	I13	
2562	I14	
2563	I14	
2564	J16	
2565	I17	
2566	I16	
2567	I17	
2568	I18	
2569	H19	
2570	G12	
2571	F 8	
2572	G15	
2573	H14	
2574	H14	
2575	G13	
2576	G17	
2577	F12	
2578	C 7	
2579	B 6	
2580	C 6	
2581	B 6	
2582	C 6	
2583	B 5	
2584	B 5	
2585	B 5	
2586	B 5	
2587	B 5	
2588	A 5	
2589	F 5	
2590	D 5	
2591	D 5	
2592	D 4	
2593	D 3	
2594	C13	
2595	A20	
2596	A15	
2597	A16	
2598	F15	
2599	F16	
2600	F18	
2601	A19	
2602	B19	
2603	D 6	
2604	E 8	
2605	J20	
2606	G16	

PART 4 : CASSETTE PREAMP (MAIN PCB)

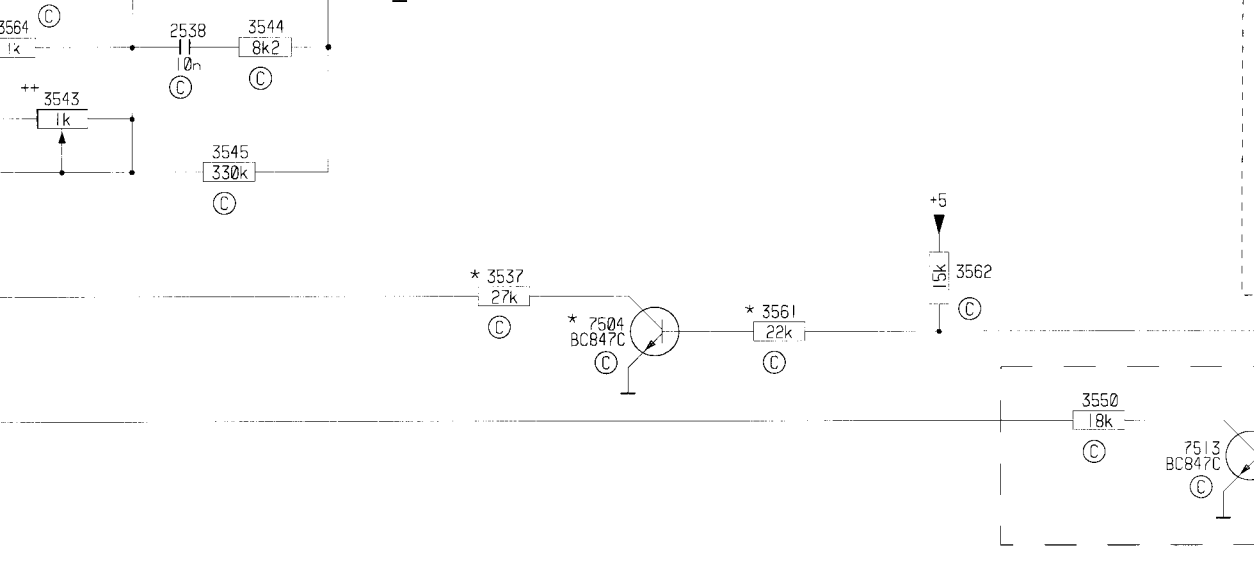
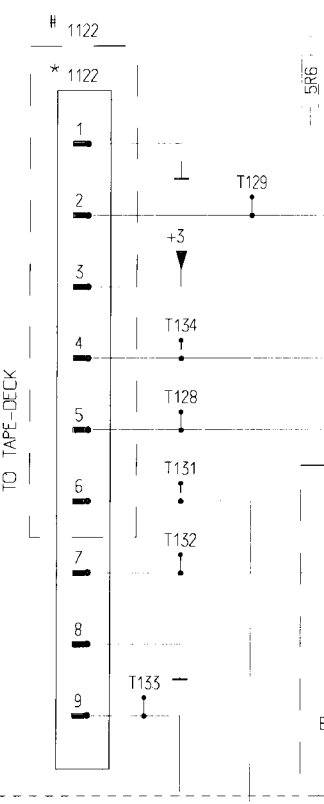
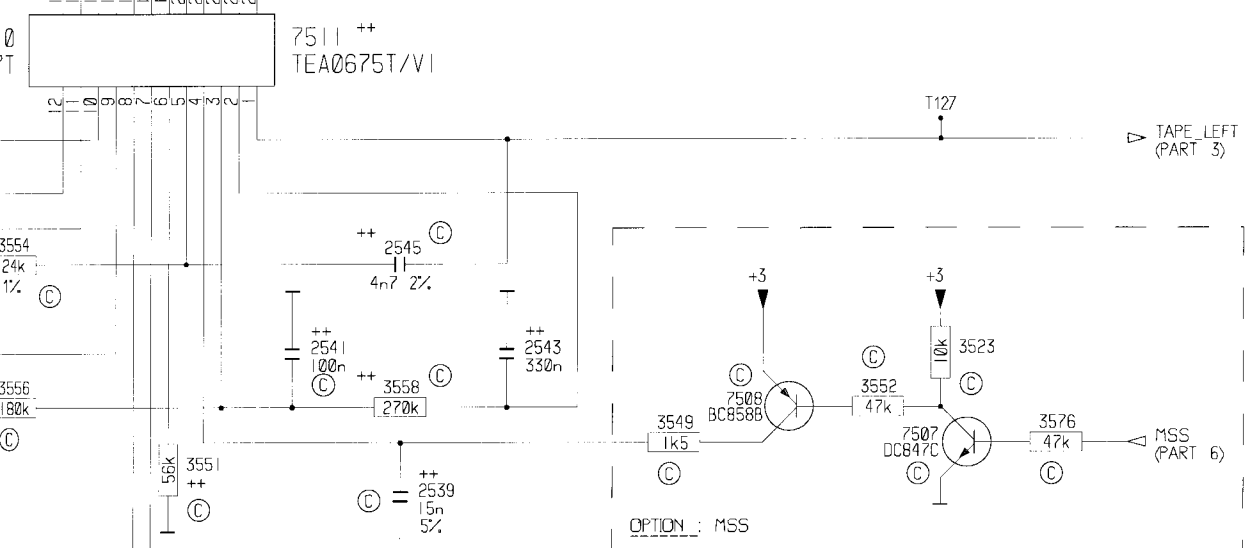
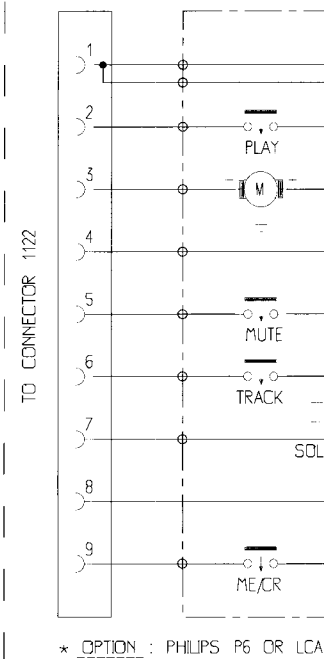
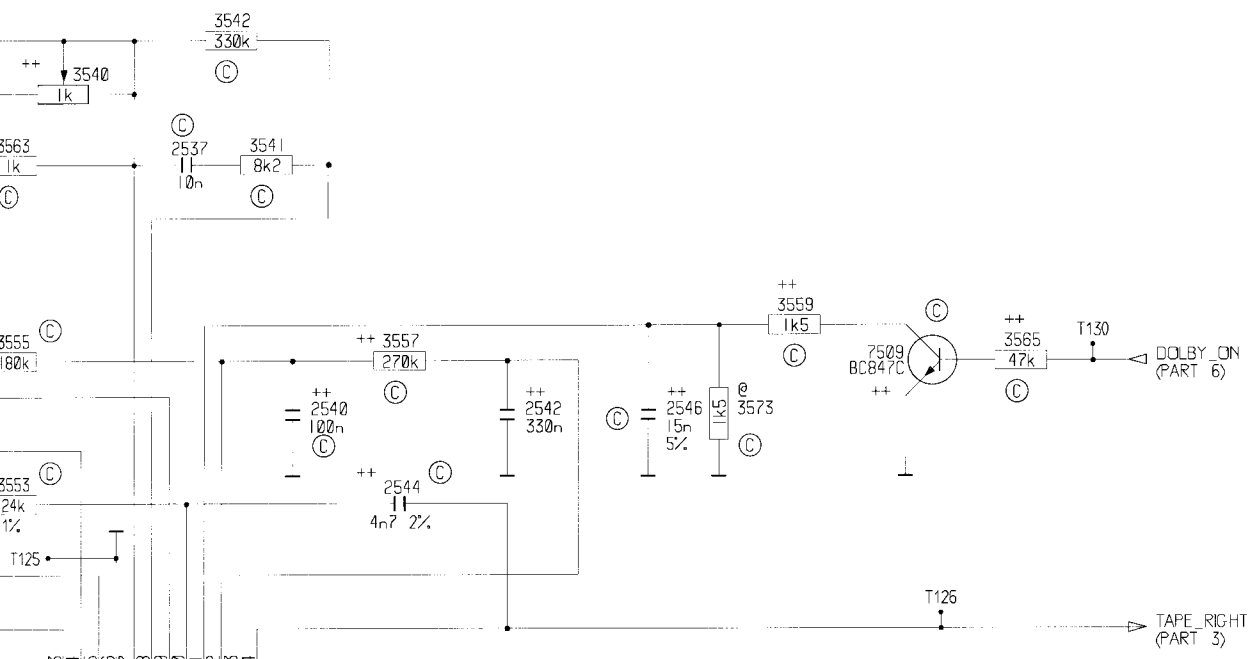


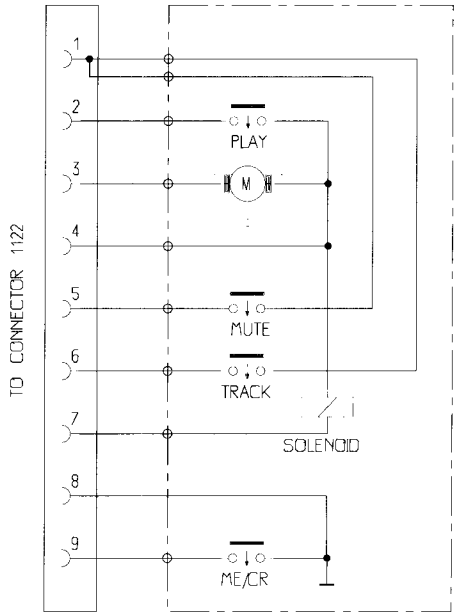
OPTION : SHINWA CDS-36PS TAPE-DECK

* OPTION : PHILIPS P6 OR LCA TAPE-DECK

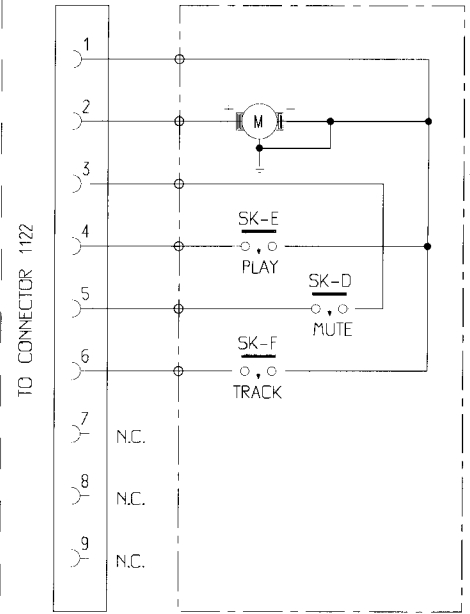
* INSERTED IN CASE OF PHILIPS P6 OR LCA TAPE-DECK
 # INSERTED IN CASE OF SHINWA CDS-36PS TAPE-DECK

++ INSERTED ONLY IN SETS WITH DOLBY
 @ INSERTED ONLY IN SETS WITHOUT DOLBY



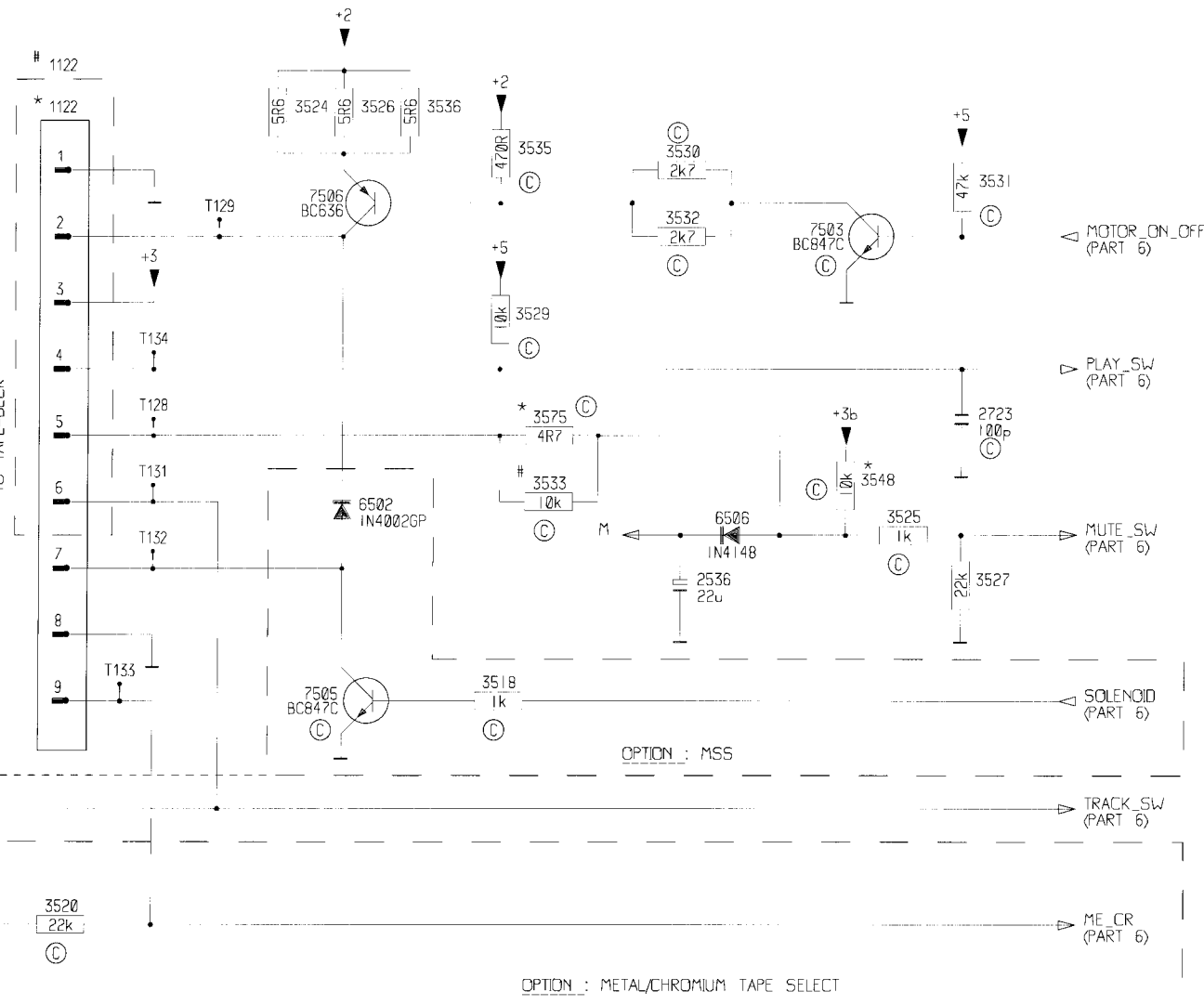


* OPTION : PHILIPS P6 OR LCA TAPE-DECK



OPTION : SHINWA CDS-36PS TAPE-DECK

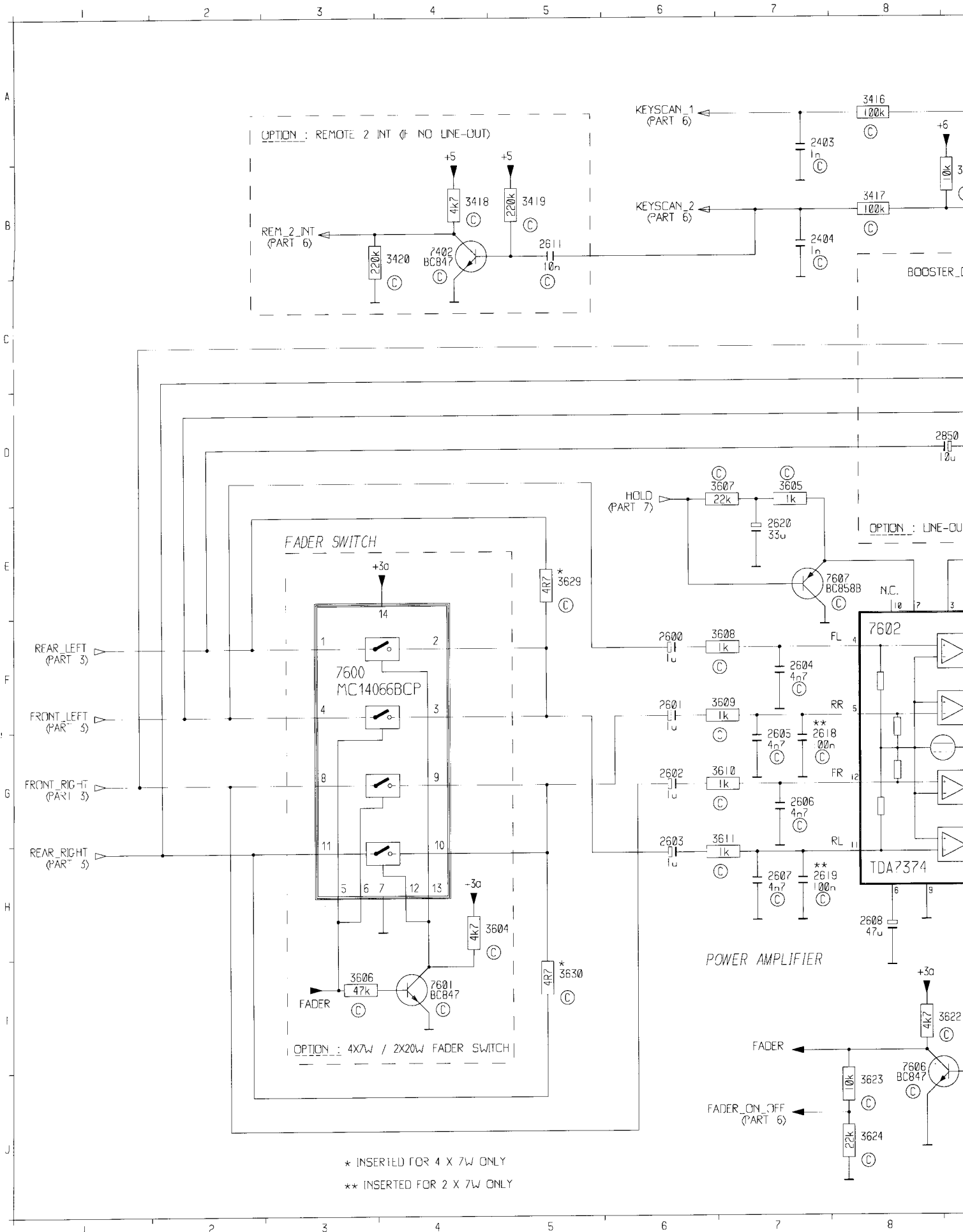
- 1120 C 3
- 1122 C F15
- 2527 D 4
- 2528 D 4
- 2529 E 4
- 2530 E 4
- 2531 B 6
- 2532 C 6
- 2533 G 6
- 2534 T 6
- 2535 O 6
- 2536 H 6
- 2537 H 6
- 2538 H 6
- 2539 G 9
- 2540 C 9
- 2541 F 9
- 2542 C 9
- 2543 F 9
- 2544 C 9
- 2545 C 9
- 2546 C 11
- 2549 G 5
- 2723 G20
- 3518 I17
- 3520 J15
- 3521 F12
- 3523 F12
- 3524 E16
- 3525 H20
- 3526 E17
- 3527 H20
- 3529 E17
- 3530 E18
- 3531 F20
- 3532 F18
- 3533 G18
- 3535 E18
- 3536 E17
- 3537 I10
- 3538 A 7
- 3539 H 7
- 3540 A 7
- 3541 A 8
- 3542 A 8
- 3543 H 7
- 3544 H 8
- 3545 H 8
- 3546 A 6
- 3547 H 6
- 3548 G20
- 3549 G11
- 3550 J13
- 3551 G 8
- 3552 G12
- 3553 C 7
- 3554 C 7
- 3555 C 7
- 3556 G 9
- 3557 C 9
- 3558 G 9
- 3559 B11
- 3560 F 5
- 3561 I11
- 3562 I12
- 3563 A 7
- 3564 H 7
- 3565 C13
- 3573 C11
- 3575 G13
- 3576 G13
- 6502 H17
- 7503 F19
- 7504 I10
- 7505 I16
- 7506 F16
- 7507 G12
- 7508 G11
- 7509 C12
- 7511 E 9
- 7513 J14

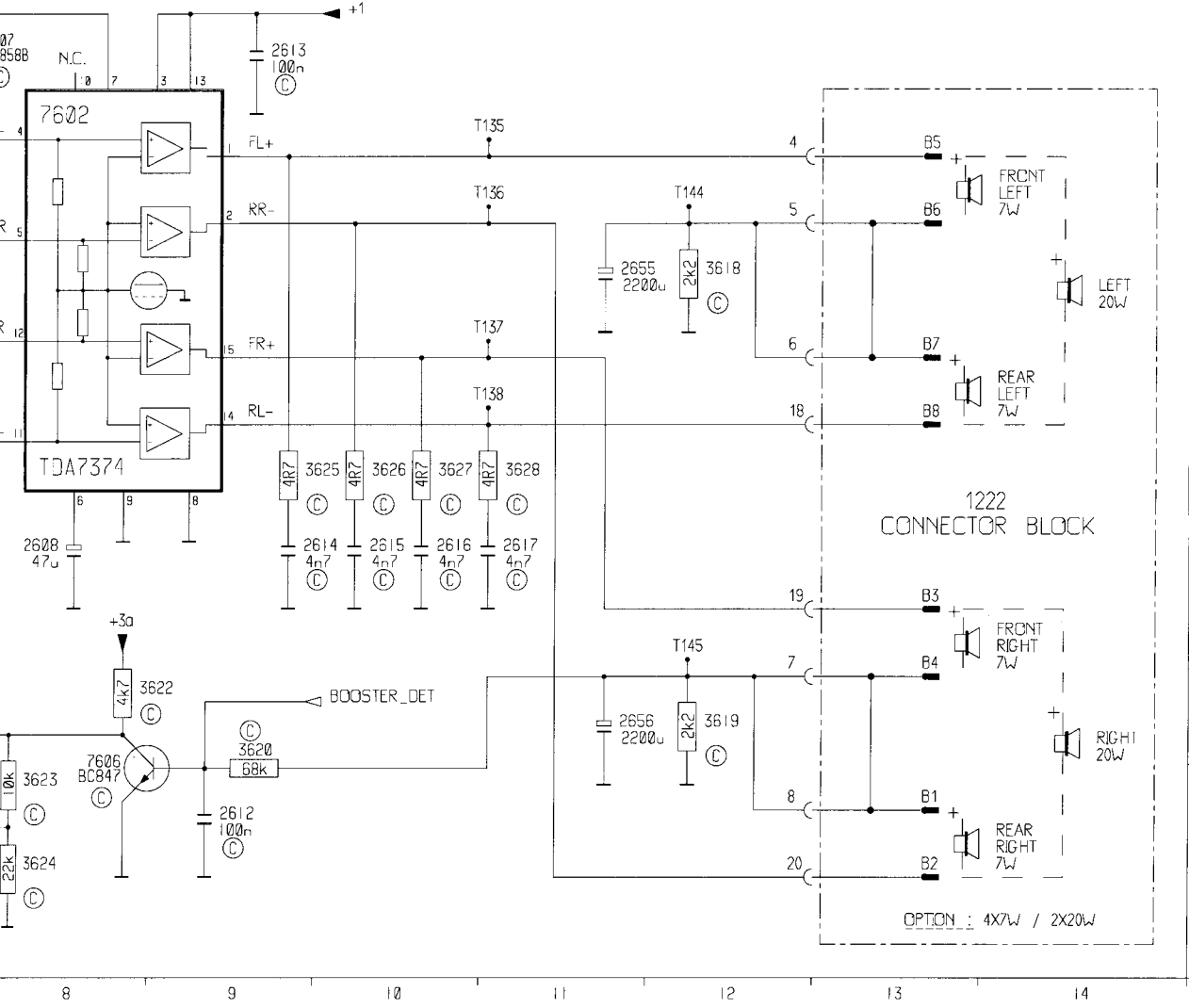
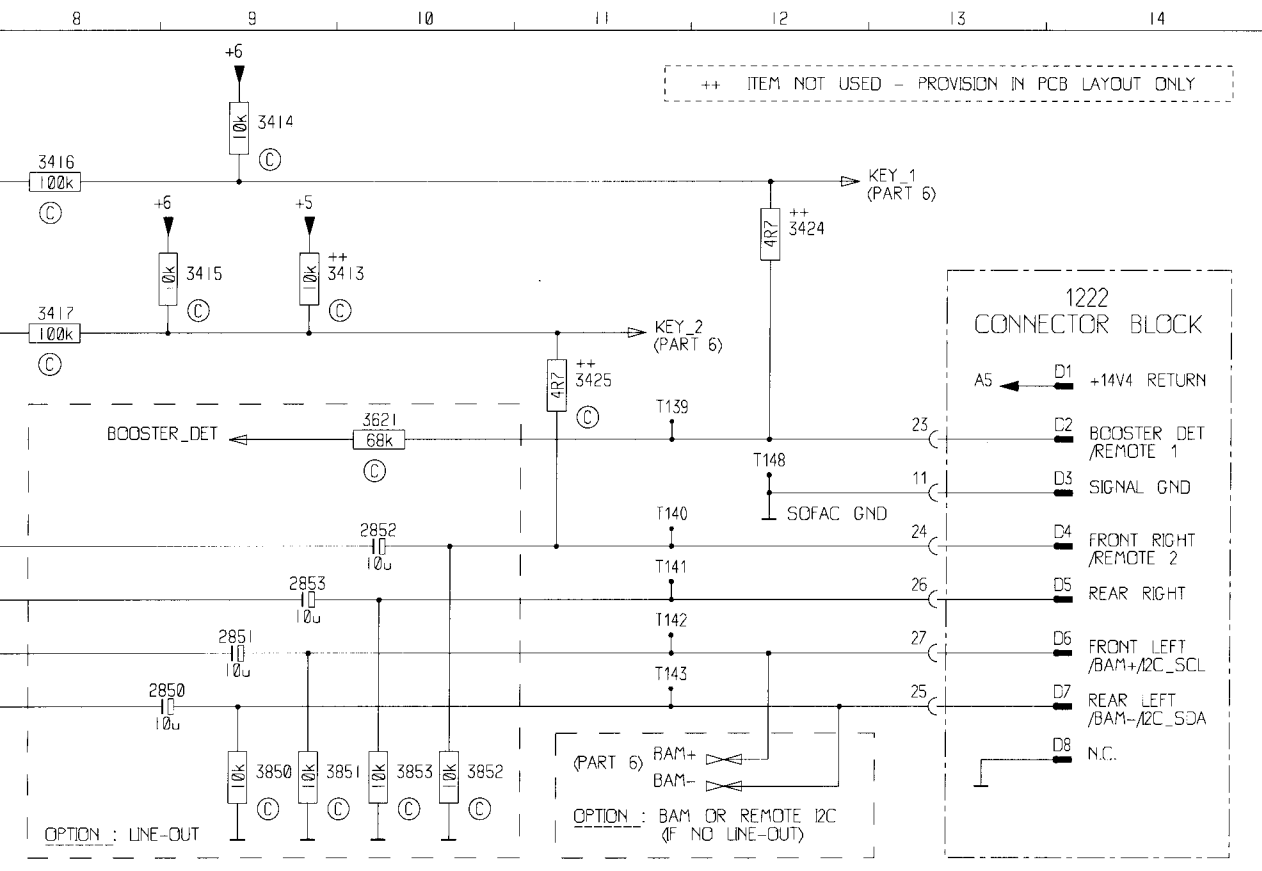


OPTION : MSS

OPTION : METAL/CHROMIUM TAPE SELECT

PART 5 : POWER AMPLIFIER & LINE-OUT INTERFACE (MAIN PCB)





1222 B13
1222 B14
2403 A 7
2404 A 7
2600 F 6
2601 F 6
2602 G 6
2603 H 6
2604 G 7
2605 H 7
2606 G 7
2607 H 7
2608 F 8
2611 F 8
2612 G 8
2613 H 8
2614 F 9
2615 G 9
2616 H 9
2617 F 10
2618 G 10
2619 H 10
2620 F 11
2621 G 11
2622 H 11
2623 J 11
2624 K 11
2625 L 11
2626 M 11
2627 N 11
2628 O 11
2629 P 11
2630 Q 11
2631 R 11
2632 S 11
2633 T 11
2634 U 11
2635 V 11
2636 W 11
2637 X 11
2638 Y 11
2639 Z 11
2640 AA 11
2641 AB 11
2642 AC 11
2643 AD 11
2644 AE 11
2645 AF 11
2646 AG 11
2647 AH 11
2648 AI 11
2649 AJ 11
2650 AK 11
2651 AL 11
2652 AM 11
2653 AN 11
2654 AO 11
2655 AP 11
2656 AQ 11
2657 AR 11
2658 AS 11
2659 AT 11
2660 AU 11
2661 AV 11
2662 AW 11
2663 AX 11
2664 AY 11
2665 AZ 11
2666 BA 11
2667 BB 11
2668 BC 11
2669 BD 11
2670 BE 11
2671 BF 11
2672 BG 11
2673 BH 11
2674 BI 11
2675 BJ 11
2676 BK 11
2677 BL 11
2678 BM 11
2679 BN 11
2680 BO 11
2681 BP 11
2682 BQ 11
2683 BR 11
2684 BS 11
2685 BT 11
2686 BU 11
2687 BV 11
2688 BW 11
2689 BX 11
2690 BY 11
2691 BZ 11
2692 CA 11
2693 CB 11
2694 CC 11
2695 CD 11
2696 CE 11
2697 CF 11
2698 CG 11
2699 CH 11
2700 CI 11
2701 CJ 11
2702 CK 11
2703 CL 11
2704 CM 11
2705 CN 11
2706 CO 11
2707 CP 11
2708 CQ 11
2709 CR 11
2710 CS 11
2711 CT 11
2712 CU 11
2713 CV 11
2714 CW 11
2715 CX 11
2716 CY 11
2717 CZ 11
2718 DA 11
2719 DB 11
2720 DC 11
2721 DD 11
2722 DE 11
2723 DF 11
2724 DG 11
2725 DH 11
2726 DI 11
2727 DJ 11
2728 DK 11
2729 DL 11
2730 DM 11
2731 DN 11
2732 DO 11
2733 DP 11
2734 DQ 11
2735 DR 11
2736 DS 11
2737 DT 11
2738 DU 11
2739 DV 11
2740 DW 11
2741 DX 11
2742 DY 11
2743 DZ 11
2744 EA 11
2745 EB 11
2746 EC 11
2747 ED 11
2748 EE 11
2749 EF 11
2750 EG 11
2751 EH 11
2752 EI 11
2753 EJ 11
2754 EK 11
2755 EL 11
2756 EM 11
2757 EN 11
2758 EO 11
2759 EP 11
2760 EQ 11
2761 ER 11
2762 ES 11
2763 ET 11
2764 EU 11
2765 EV 11
2766 EW 11
2767 EX 11
2768 EY 11
2769 EZ 11
2770 FA 11
2771 FB 11
2772 FC 11
2773 FD 11
2774 FE 11
2775 FF 11
2776 FG 11
2777 FH 11
2778 FI 11
2779 FJ 11
2780 FK 11
2781 FL 11
2782 FM 11
2783 FN 11
2784 FO 11
2785 FP 11
2786 FQ 11
2787 FR 11
2788 FS 11
2789 FT 11
2790 FU 11
2791 FV 11
2792 FW 11
2793 FX 11
2794 FY 11
2795 FZ 11
2796 GA 11
2797 GB 11
2798 GC 11
2799 GD 11
2800 GE 11
2801 GF 11
2802 GG 11
2803 GH 11
2804 GI 11
2805 GJ 11
2806 GK 11
2807 GL 11
2808 GM 11
2809 GN 11
2810 GO 11
2811 GP 11
2812 GQ 11
2813 GR 11
2814 GS 11
2815 GT 11
2816 GU 11
2817 GV 11
2818 GW 11
2819 GX 11
2820 GY 11
2821 GZ 11
2822 HA 11
2823 HB 11
2824 HC 11
2825 HD 11
2826 HE 11
2827 HF 11
2828 HG 11
2829 HH 11
2830 HI 11
2831 HJ 11
2832 HK 11
2833 HL 11
2834 HM 11
2835 HN 11
2836 HO 11
2837 HP 11
2838 HQ 11
2839 HR 11
2840 HS 11
2841 HT 11
2842 HU 11
2843 HV 11
2844 HW 11
2845 HX 11
2846 HY 11
2847 HZ 11
2848 IA 11
2849 IB 11
2850 IC 11
2851 ID 11
2852 IE 11
2853 IF 11
2854 IG 11
2855 IH 11
2856 II 11
2857 IJ 11
2858 IK 11
2859 IL 11
2860 IM 11
2861 IN 11
2862 IO 11
2863 IP 11
2864 IQ 11
2865 IR 11
2866 IS 11
2867 IT 11
2868 IU 11
2869 IV 11
2870 IW 11
2871 IX 11
2872 IY 11
2873 IZ 11
2874 JA 11
2875 JB 11
2876 JC 11
2877 JD 11
2878 JE 11
2879 JF 11
2880 JG 11
2881 JH 11
2882 JI 11
2883 JJ 11
2884 JK 11
2885 JL 11
2886 JM 11
2887 JN 11
2888 JO 11
2889 JP 11
2890 JQ 11
2891 JR 11
2892 JS 11
2893 JT 11
2894 JU 11
2895 JV 11
2896 JW 11
2897 JX 11
2898 JY 11
2899 JZ 11
2900 KA 11
2901 KB 11
2902 KC 11
2903 KD 11
2904 KE 11
2905 KF 11
2906 KG 11
2907 KH 11
2908 KI 11
2909 KJ 11
2910 KK 11
2911 KL 11
2912 KM 11
2913 KN 11
2914 KO 11
2915 KP 11
2916 KQ 11
2917 KR 11
2918 KS 11
2919 KT 11
2920 KU 11
2921 KV 11
2922 KW 11
2923 KX 11
2924 KY 11
2925 KZ 11
2926 LA 11
2927 LB 11
2928 LC 11
2929 LD 11
2930 LE 11
2931 LF 11
2932 LG 11
2933 LH 11
2934 LI 11
2935 LJ 11
2936 LK 11
2937 LL 11
2938 LM 11
2939 LN 11
2940 LO 11
2941 LP 11
2942 LQ 11
2943 LR 11
2944 LS 11
2945 LT 11
2946 LU 11
2947 LV 11
2948 LW 11
2949 LX 11
2950 LY 11
2951 LZ 11
2952 MA 11
2953 MB 11
2954 MC 11
2955 MD 11
2956 ME 11
2957 MF 11
2958 MG 11
2959 MH 11
2960 MI 11
2961 MJ 11
2962 MK 11
2963 ML 11
2964 MM 11
2965 MN 11
2966 MO 11
2967 MP 11
2968 MQ 11
2969 MR 11
2970 MS 11
2971 MT 11
2972 MU 11
2973 MV 11
2974 MW 11
2975 MX 11
2976 MY 11
2977 MZ 11
2978 NA 11
2979 NB 11
2980 NC 11
2981 ND 11
2982 NE 11
2983 NF 11
2984 NG 11
2985 NH 11
2986 NI 11
2987 NJ 11
2988 NK 11
2989 NL 11
2990 NM 11
2991 NN 11
2992 NO 11
2993 NP 11
2994 NQ 11
2995 NR 11
2996 NS 11
2997 NT 11
2998 NU 11
2999 NV 11
3000 NW 11
3001 NX 11
3002 NY 11
3003 NZ 11
3004 OA 11
3005 OB 11
3006 OC 11
3007 OD 11
3008 OE 11
3009 OF 11
3010 OG 11
3011 OH 11
3012 OI 11
3013 OJ 11
3014 OK 11
3015 OL 11
3016 OM 11
3017 ON 11
3018 OO 11
3019 OP 11
3020 OQ 11
3021 OR 11
3022 OS 11
3023 OT 11
3024 OU 11
3025 OV 11
3026 OW 11
3027 OX 11
3028 OY 11
3029 OZ 11
3030 PA 11
3031 PB 11
3032 PC 11
3033 PD 11
3034 PE 11
3035 PF 11
3036 PG 11
3037 PH 11
3038 PI 11
3039 PJ 11
3040 PK 11
3041 PL 11
3042 PM 11
3043 PN 11
3044 PO 11
3045 PP 11
3046 PQ 11
3047 PR 11
3048 PS 11
3049 PT 11
3050 PU 11
3051 PV 11
3052 PW 11
3053 PX 11
3054 PY 11
3055 PZ 11
3056 QA 11
3057 QB 11
3058 QC 11
3059 QD 11
3060 QE 11
3061 QF 11
3062 QG 11
3063 QH 11
3064 QI 11
3065 QJ 11
3066 QK 11
3067 QL 11
3068 QM 11
3069 QN 11
3070 QO 11
3071 QP 11
3072 QQ 11
3073 QR 11
3074 QS 11
3075 QT 11
3076 QU 11
3077 QV 11
3078 QW 11
3079 QX 11
3080 QY 11
3081 QZ 11
3082 RA 11
3083 RB 11
3084 RC 11
3085 RD 11
3086 RE 11
3087 RF 11
3088 RG 11
3089 RH 11
3090 RI 11
3091 RJ 11
3092 RK 11
3093 RL 11
3094 RM 11
3095 RN 11
3096 RO 11
3097 RP 11
3098 RQ 11
3099 RR 11
3100 RS 11
3101 RT 11
3102 RU 11
3103 RV 11
3104 RW 11
3105 RX 11
3106 RY 11
3107 RZ 11
3108 SA 11
3109 SB 11
3110 SC 11
3111 SD 11
3112 SE 11
3113 SF 11
3114 SG 11
3115 SH 11
3116 SI 11
3117 SJ 11
3118 SK 11
3119 SL 11
3120 SM 11
3121 SN 11
3122 SO 11
3123 SP 11
3124 SQ 11
3125 SR 11
3126 SS 11
3127 ST 11
3128 SU 11
3129 SV 11
3130 SW 11
3131 SX 11
3132 SY 11
3133 SZ 11
3134 TA 11
3135 TB 11
3136 TC 11
3137 TD 11
3138 TE 11
3139 TF 11
3140 TG 11
3141 TH 11
3142 TI 11
3143 TJ 11
3144 TK 11
3145 TL 11
3146 TM 11
3147 TN 11
3148 TO 11
3149 TP 11
3150 TQ 11
3151 TR 11
3152 TS 11
3153 TT 11
3154 TU 11
3155 TV 11
3156 TW 11
3157 TX 11
3158 TY 11
3159 TZ 11
3160 UA 11
3161 UB 11
3162 UC 11
3163 UD 11
3164 UE 11
3165 UF 11
3166 UG 11
3167 UH 11
3168 UI 11
3169 UJ 11
3170 UK 11
3171 UL 11
3172 UM 11
3173 UN 11
3174 UO 11
3175 UP 11
3176 UQ 11
3177 UR 11
3178 US 11
3179 UT 11
3180 UJ 11
3181 UV 11
3182 UW 11
3183 UX 11
3184 UY 11
3185 UZ 11
3186 VA 11
3187 VB 11
3188 VC 11
3189 VD 11
3190 VE 11
3191 VF 11
3192 VG 11
3193 VH 11
3194 VI 11
3195 VJ 11
3196 VK 11
3197 VL 11
3198 VM 11
3199 VN 11
3200 VO 11
3201 VP 11
3202 VQ 11
3203 VR 11
3204 VS 11
3205 VT 11
3206 VU 11
3207 VV 11
3208 VW 11
3209 VX 11
3210 VY 11
3211 VZ 11
3212 WA 11
3213 WB 11
3214 WC 11
3215 WD 11
3216 WE 11
3217 WF 11
3218 WG 11
3219 WH 11
3220 WI 11
3221 WJ 11
3222 WK 11
3223 WL 11
3224 WM 11
3225 WN 11
3226 WO 11
3227 WP 11
3228 WQ 11
3229 WR 11
3230 WS 11
3231 WT 11
3232 WU 11
3233 WV 11
3234 WW 11
3235 WX 11
3236 WY 11
3237 WZ 11
3238 XA 11
3239 XB 11
3240 XC 11
3241 XD 11
3242 XE 11
3243 XF 11
3244 XG 11
3245 XH 11
3246 XI 11
3247 XJ 11
3248 XK 11
3249 XL 11
3250 XM 11
3251 XN 11
3252 XO 11
3253 XP 11
3254 XQ 11
3255 XR 11
3256 XS 11
3257 XT 11
3258 XU 11
3259 XV 11
3260 XW 11
3261 XX 11
3262 XY 11
3263 XZ 11
3264 YA 11
3265 YB 11
3266 YC 11
3267 YD 11
3268 YE 11
3269 YF 11
3270 YG 11
3271 YH 11
3272 YI 11
3273 YJ 11
3274 YK 11
3275 YL 11
3276 YM 11
3277 YN 11
3278 YO 11
3279 YP 11
3280 YQ 11
3281 YR 11
3282 YS 11
3283 YT 11
3284 YU 11
3285 YV 11
3286 YW 11
3287 YX 11
3288 YY 11
3289 YZ 11
3290 ZA 11
3291 ZB 11
3292 ZC 11
3293 ZD 11
3294 ZE 11
3295 ZF 11
3296 ZG 11
3297 ZH 11
3298 ZI 11
3299 ZJ 11
3300 ZK 11
3301 ZL 11
3302 ZM 11
3303 ZN 11
3304 ZO 11
3305 ZP 11
3306 ZQ 11
3307 ZR 11
3308 ZS 11
3309 ZT 11
3310 ZU 11
3311 ZV 11
3312 ZW 11
3313 ZX 11
3314 ZY 11
3315 ZZ 11

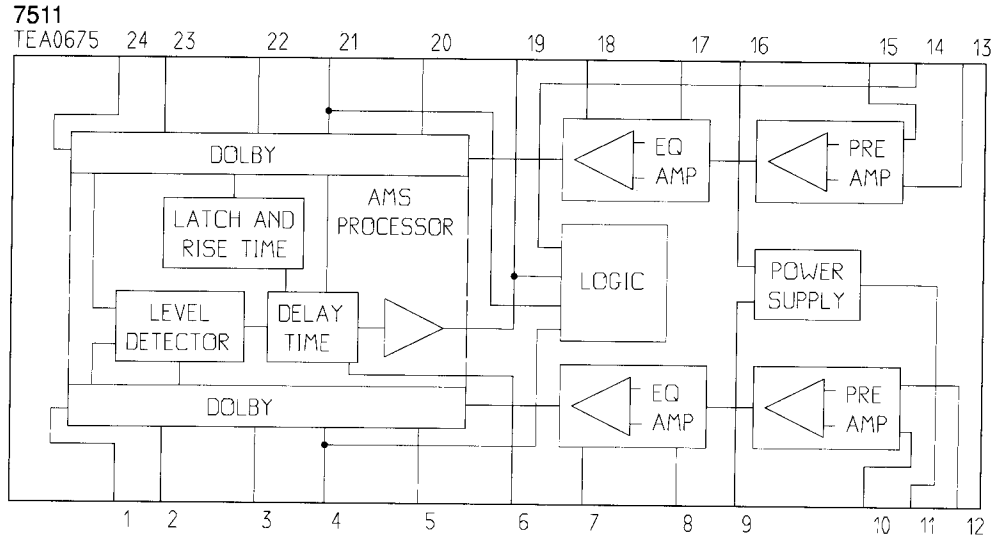
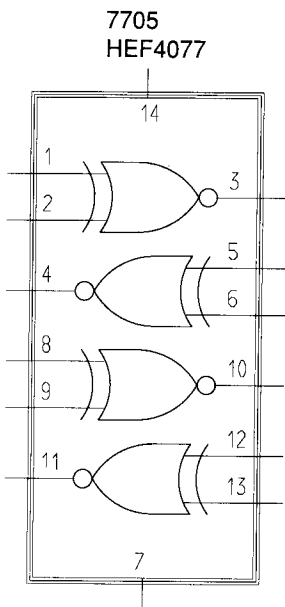
- Voltage**
- +1 (+14.4V)
 - +2 (+14.4V)
 - +3 (+8.5V)
 - +3a (+8V)
 - +3b (+8.5V)
 - +4 (+5V)
 - +5 (+5V)
 - +5a (+5V)
 - +6 (+5V)
 - +7 (5V)

+CDCC (+)
+V_LCD (+)

DC BIASING

IC 7502 TL
Pin 1, 3, 5,

1222 H13
 2222 B14
 2403 77
 2494 77
 2500 77
 2501 77
 2502 77
 2503 77
 2504 77
 2505 77
 2506 77
 2507 77
 2508 77
 2509 77
 2510 77
 2511 77
 2512 77
 2513 77
 2514 77
 2515 77
 2516 77
 2517 77
 2518 77
 2519 77
 2520 77
 2521 77
 2522 77
 2523 77
 2524 77
 2525 77
 2526 77
 2527 77
 2528 77
 2529 77
 2530 77
 2531 77
 2532 77
 2533 77
 2534 77
 2535 77
 2536 77
 2537 77
 2538 77
 2539 77
 2540 77
 2541 77
 2542 77
 2543 77
 2544 77
 2545 77
 2546 77
 2547 77
 2548 77
 2549 77
 2550 77
 2551 77
 2552 77
 2553 77
 2554 77
 2555 77
 2556 77
 2557 77
 2558 77
 2559 77
 2560 77
 2561 77
 2562 77
 2563 77
 2564 77
 2565 77
 2566 77
 2567 77
 2568 77
 2569 77
 2570 77
 2571 77
 2572 77
 2573 77
 2574 77
 2575 77
 2576 77
 2577 77
 2578 77
 2579 77
 2580 77
 2581 77
 2582 77
 2583 77
 2584 77
 2585 77
 2586 77
 2587 77
 2588 77
 2589 77
 2590 77
 2591 77
 2592 77
 2593 77
 2594 77
 2595 77
 2596 77
 2597 77
 2598 77
 2599 77
 2600 77



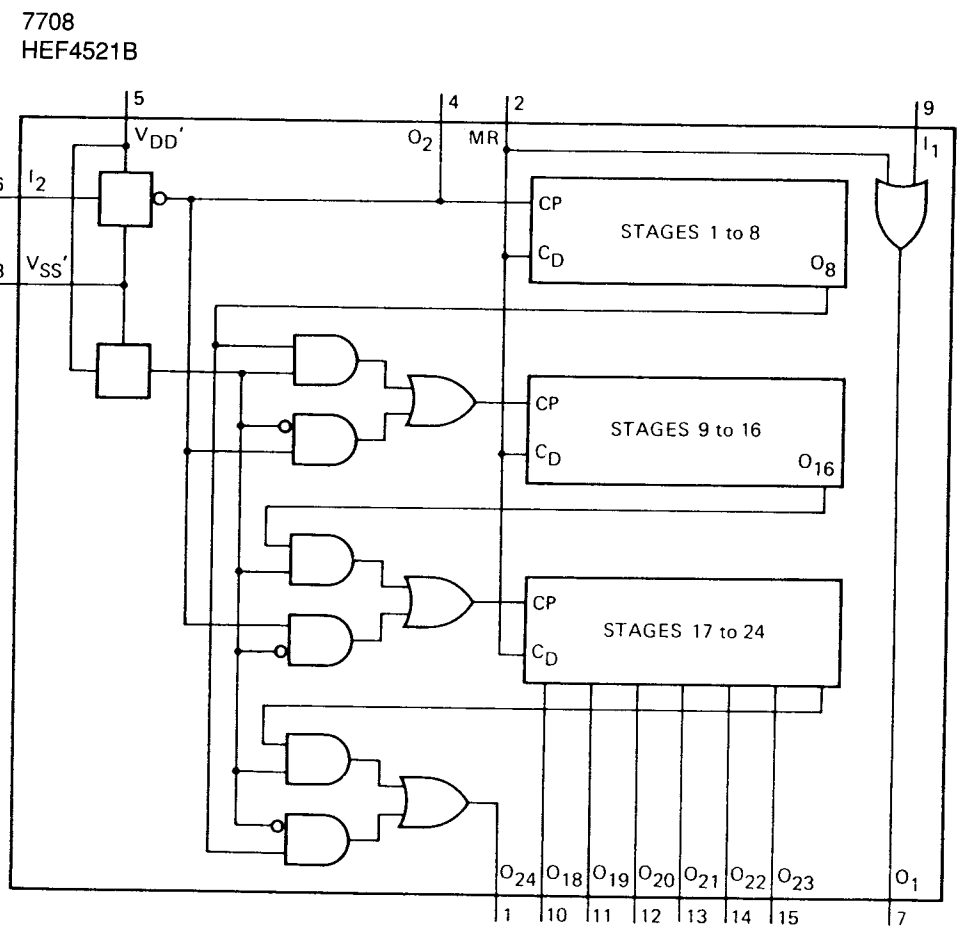
Voltage

- +1 (+14.4V)
- +2 (+14.4V)
- +3 (+8.5V)
- +3a (+8V)
- +3b (+8.5V)
- +4 (+5V)
- +5 (+5V)
- +5a (+5V)
- +6 (+5V)
- +7 (5V)

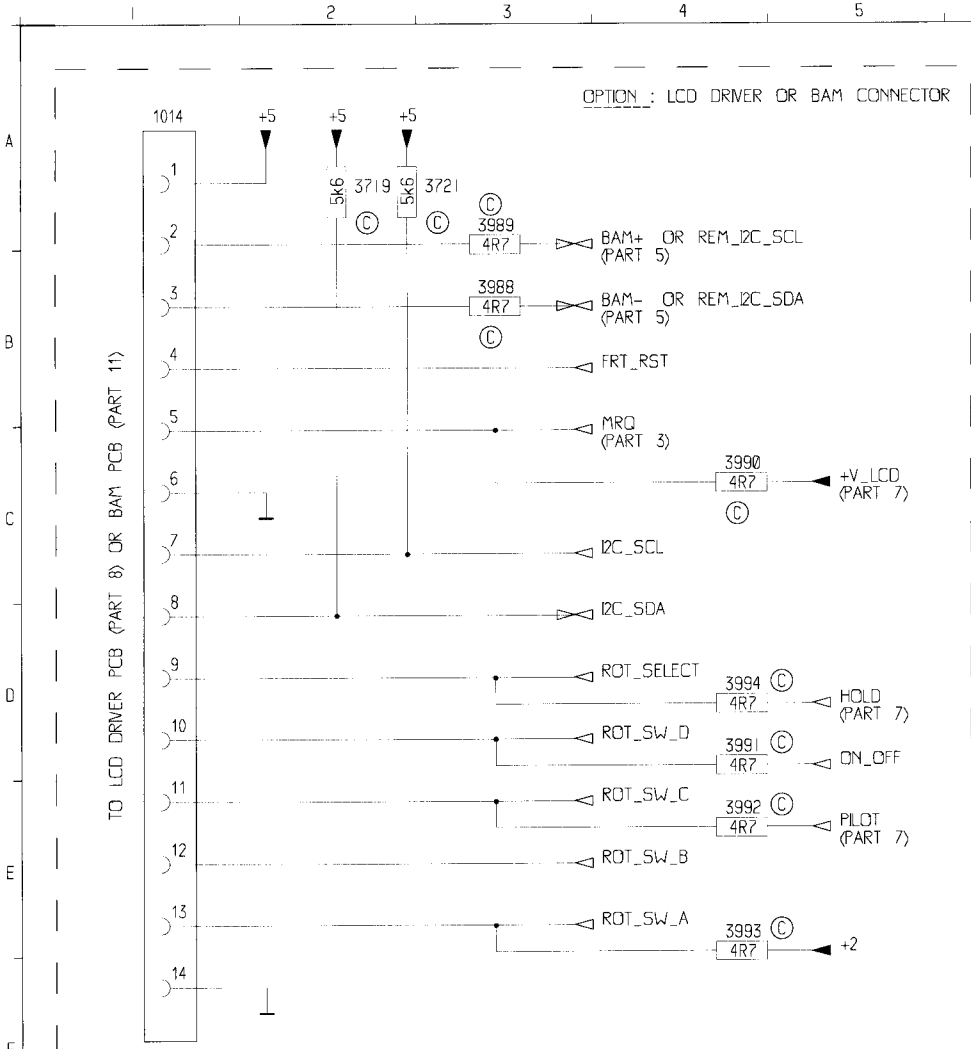
- +CDCC (+14.4V)
- +V_LCD (+14V)

DC BIASING

IC 7502 TL074
Pin 1, 3, 5, 7, 8, 10, 12, 14 = 4.1VDC

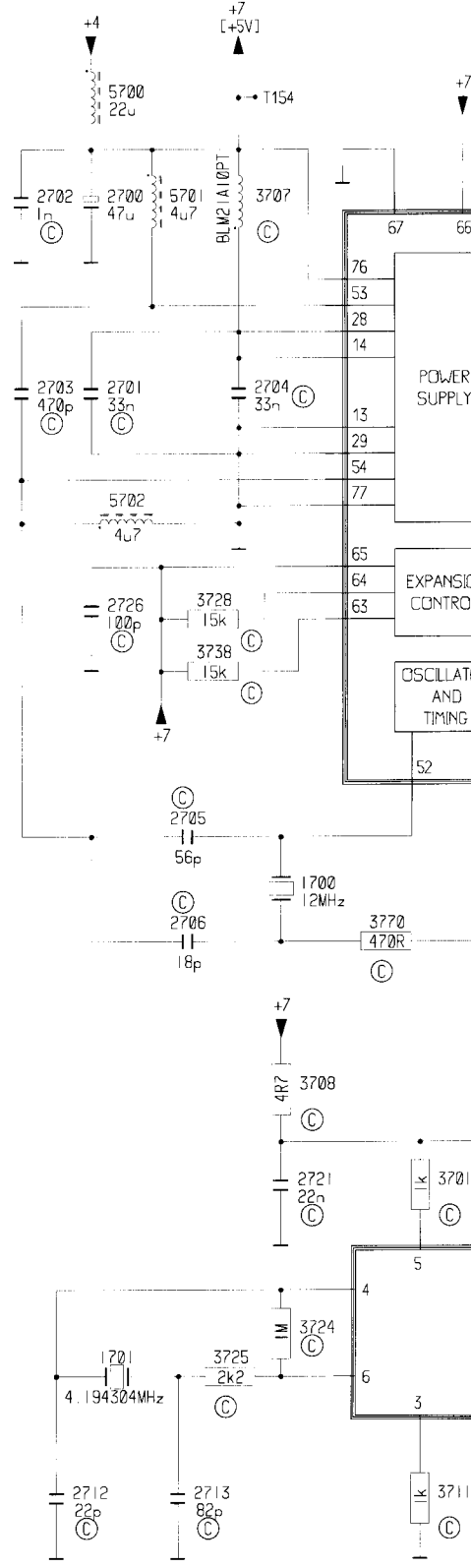


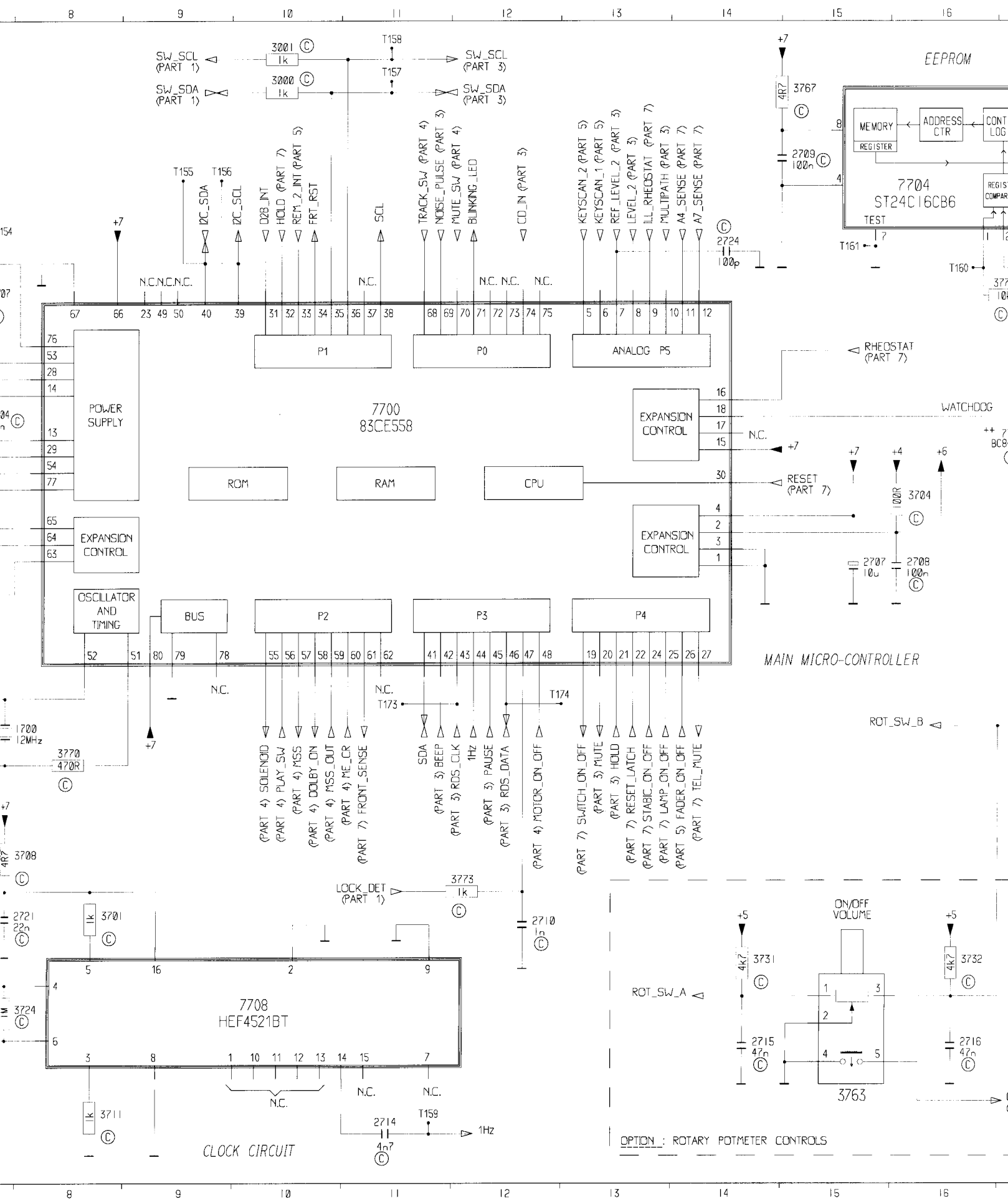
PART 6 : MICRO-CONTROLLER, EEPROM & CONTROLS (MAIN PCB)

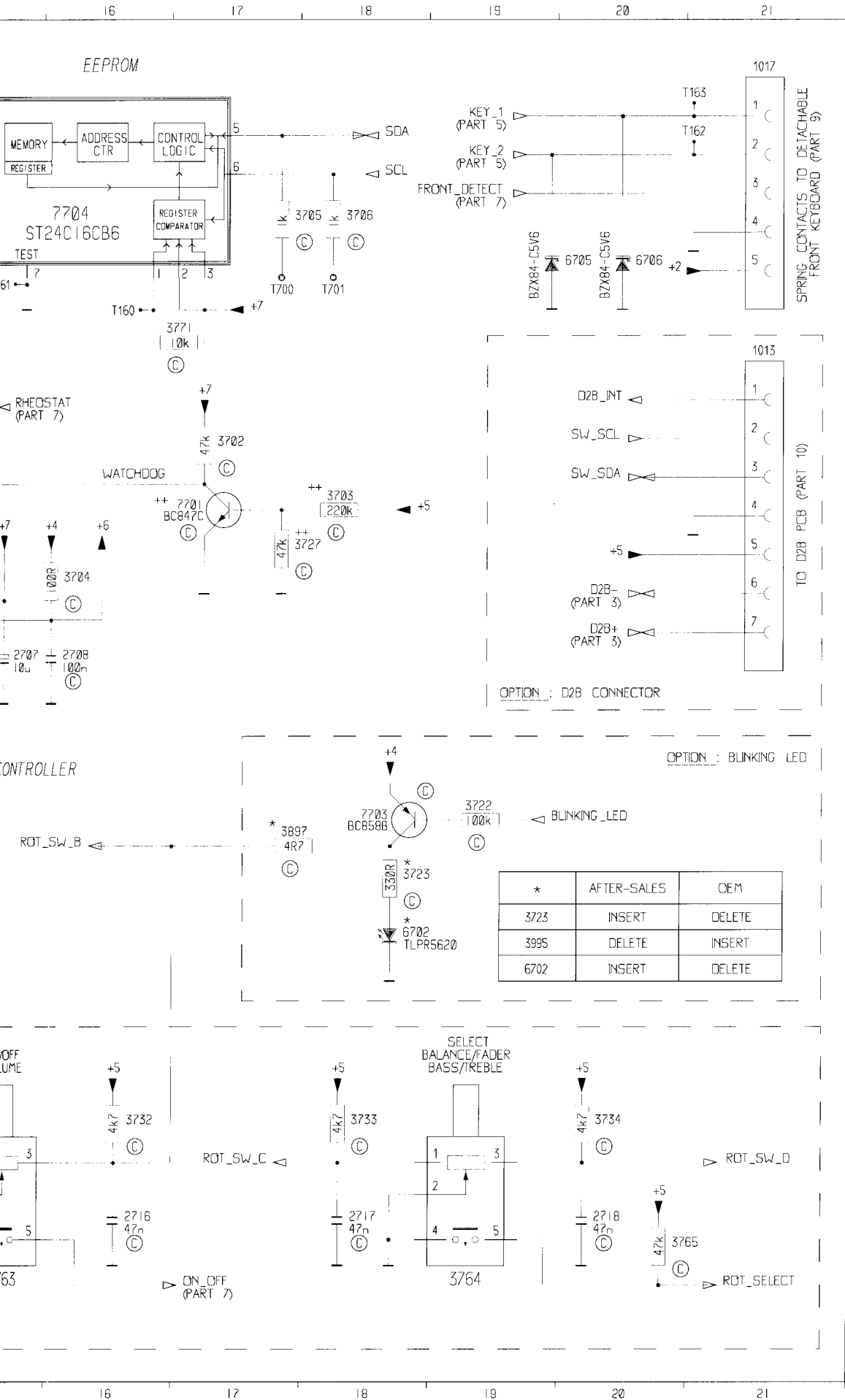


1014 PIN NO	DC512/00, DC522/00, DC532/00	DC517/78, DC537/78	OEM	FAMAR
1	+5	+5	+5	+5
2	-	REM_I2C_SCL (+R3989)	BAM+ (+R3989)	-
3	-	REM_I2C_SDA (+R3988)	BAM- (+R3988)	-
4	FRT_RST	FRT_RST	FRT_RST	FRT_RST
5	-	MRQ	+V_LCD (+R3990)	+V_LCD (+R3990)
6	GND	GND	GND	GND
7	I2C_SCL	I2C_SCL	I2C_SCL	I2C_SCL
8	I2C_SDA	I2C_SDA	I2C_SDA	I2C_SDA
9	ROT_SEL	ROT_SEL	HOLD (+R3994)	-
10	ROT_SW_D	ROT_SW_D	ON_OFF (+R3991)	-
11	ROT_SW_C	ROT_SW_C	PILOT (+R3992)	-
12	ROT_SW_B	ROT_SW_B	BLINKING_LED	-
13	ROT_SW_A	ROT_SW_A	+2 (+R3993)	+2 (+R3993)
14	GND	GND	GND	GND

++ ITEM NOT USED - PROVISION IN PCB LAYOUT ONLY

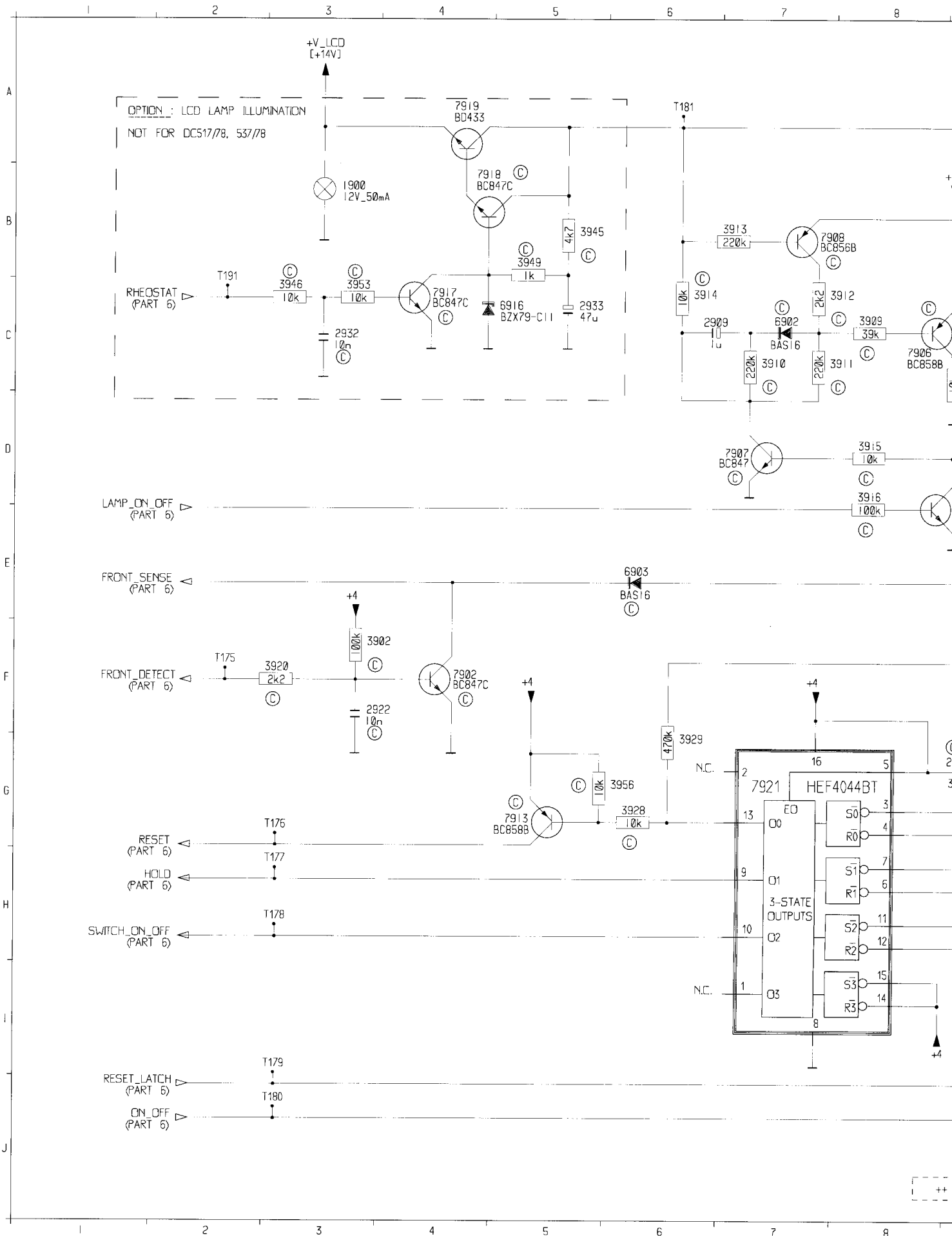


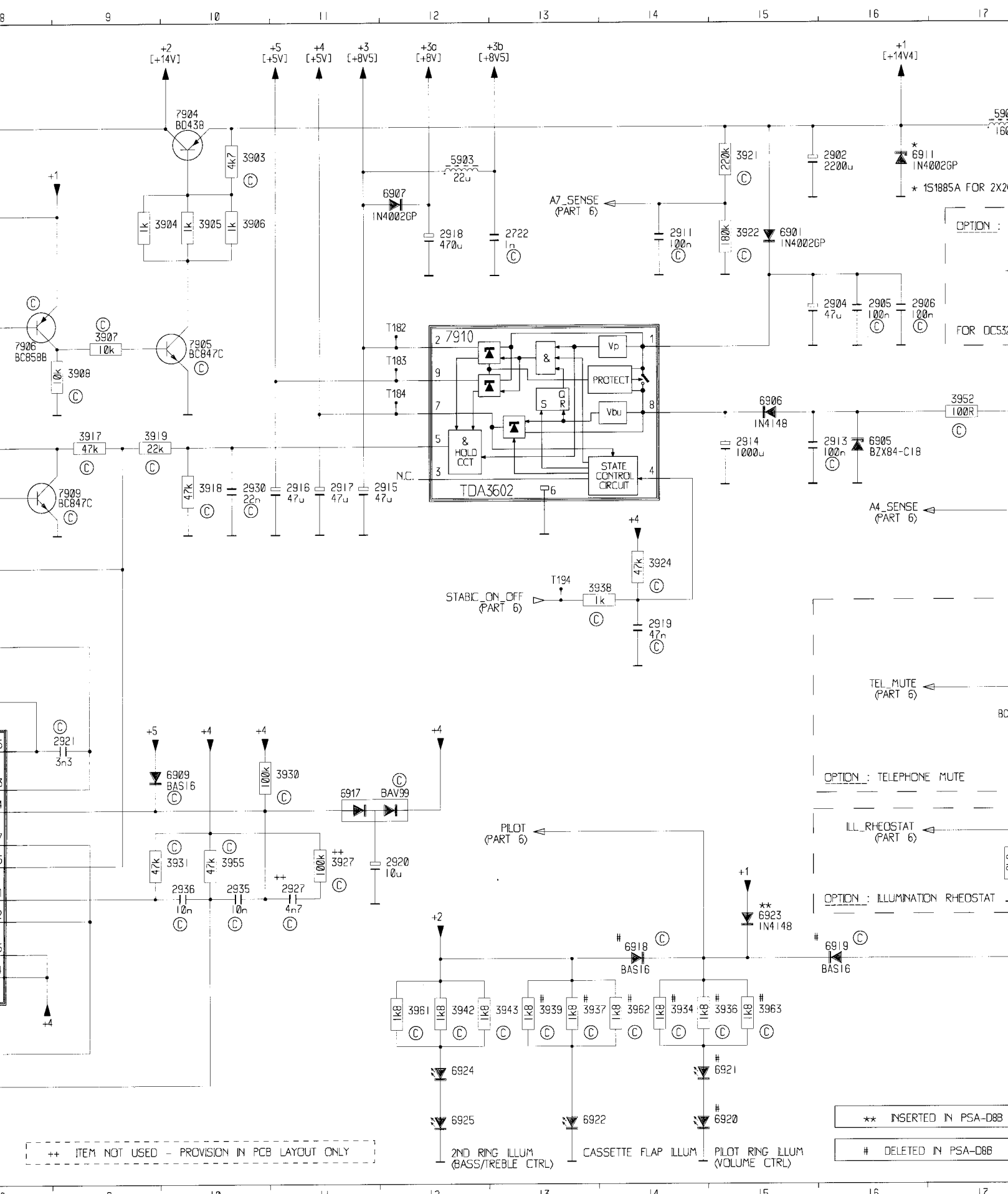




- 1013 C21
- 1014 A 1
- 1017 A21
- 1700 G 8
- 1701 C 6
- 2700 I 6
- 2701 C 6
- 2702 D 6
- 2703 D 6
- 2704 D 7
- 2705 F 7
- 2706 G 7
- 2707 G 5
- 2708 E 5
- 2709 A 5
- 2710 H 2
- 2712 J 7
- 2713 J 7
- 2714 J 1
- 2715 J 4
- 2716 J 6
- 2717 J 8
- 2718 J 2
- 2721 H 8
- 2724 B 4
- 2726 E 6
- 3000 A 0
- 3001 A 0
- 3701 H 8
- 3702 D 7
- 3703 D 8
- 3704 E 6
- 3705 B 8
- 3706 B 8
- 3707 C 7
- 3708 H 8
- 3711 J 8
- 3719 A 8
- 3721 C 3
- 3722 C 3
- 3723 G 8
- 3724 I 8
- 3725 I 7
- 3727 D 8
- 3728 E 7
- 3731 I 4
- 3732 I 6
- 3733 I 8
- 3734 I 2
- 3738 E 7
- 3763 J 5
- 3764 J 9
- 3765 J 2
- 3767 A 5
- 3770 G 8
- 3771 C 7
- 3773 H 2
- 3897 G 7
- 3988 B 3
- 3989 A 3
- 3990 C 4
- 3991 D 4
- 3992 E 4
- 3993 E 4
- 3994 D 4
- 5700 B 7
- 5701 C 7
- 5702 D 7
- 6702 G 8
- 6705 B 2
- 6706 B 2
- 7700 D 1
- 7701 D 7
- 7703 F 8
- 7704 B 6
- 7708 I 0

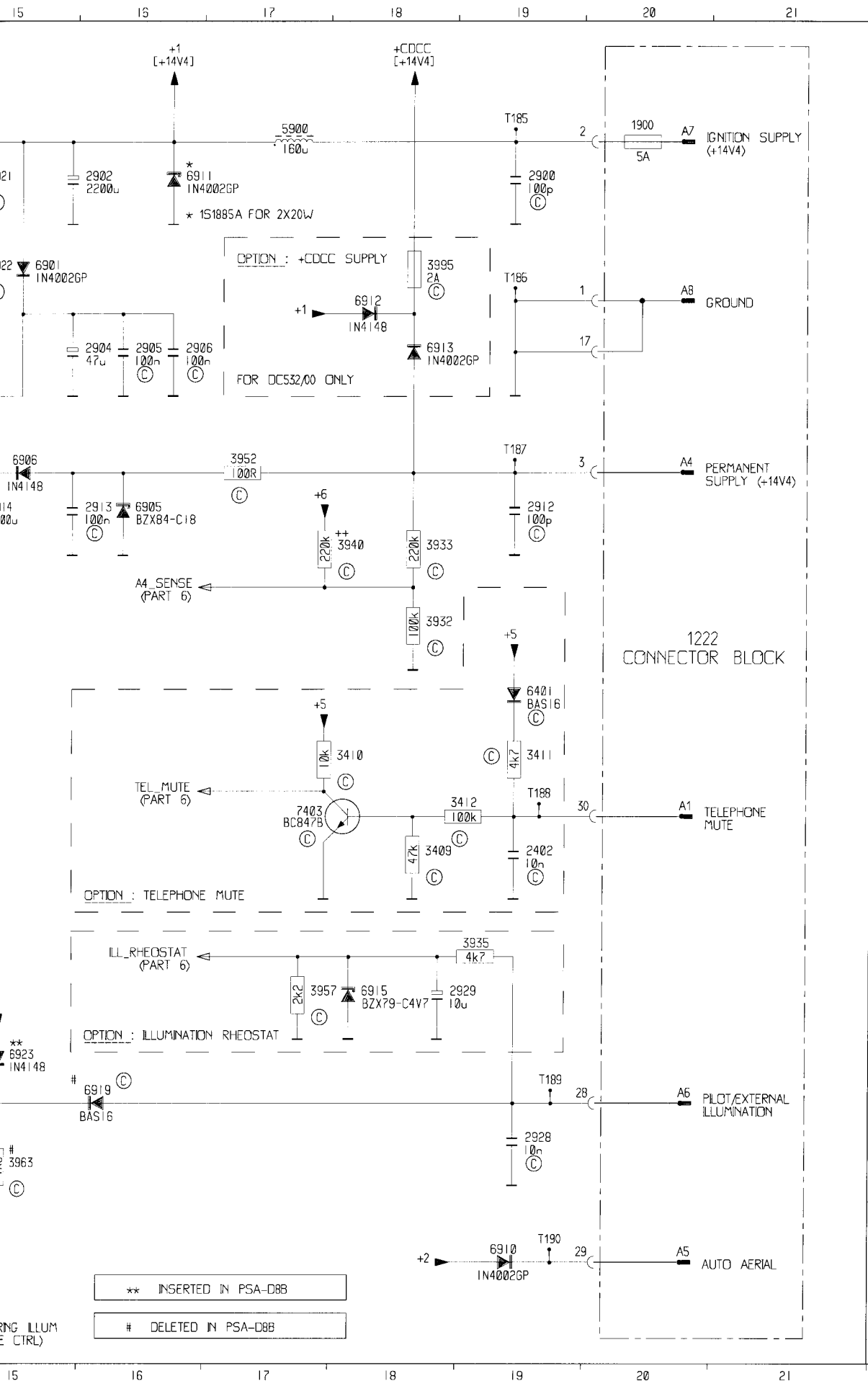
PART 7 : SUPPLY (MAIN PCB)





++ ITEM NOT USED - PROVISION IN PCB LAYOUT ONLY


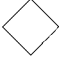
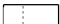




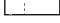
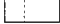
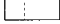
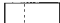
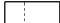


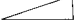
** INSERTED IN PSA-D8B
DELETED IN PSA-D8B







1222	E20	7905	C10
1900	B13	7906	C18
2402	B19	7907	C10
2722	B13	7908	B17
2900	A19	7909	E19
2902	A16	7910	C12
2904	C16	7911	G15
2905	C16	7912	C12
2906	C16	7913	B14
2909	C16	7914	B14
2911	B14	7915	A14
2912	D19	7916	G17
2913	D16	7917	C12
2914	D15	7918	B14
2915	D12	7919	A14
2916	D11	7920	G17
2917	D11	7921	G17
2918	B12		
2919	F14		
2920	H12		
2921	G19		
2922	F14		
2927	H11		
2928	H19		
2929	H10		
2930	D10		
2932	C13		
2933	C13		
2935	H10		
2936	H10		
3409	G18		
3410	F18		
3411	F18		
3412	F18		
3902	F14		
3903	A10		
3904	B10		
3905	B10		
3906	B10		
3907	C19		
3908	C19		
3909	C19		
3910	C19		
3911	C19		
3912	C19		
3913	C19		
3914	C19		
3915	D10		
3916	D10		
3917	D10		
3918	D10		
3919	D10		
3920	F15		
3921	A15		
3922	B15		
3924	E14		
3927	H11		
3928	G16		
3929	G16		
3930	G11		
3931	H10		
3932	E18		
3933	D18		
3934	I14		
3935	G19		
3936	I15		
3937	I13		
3938	E14		
3939	I13		
3940	D18		
3942	I12		
3943	I12		
3944	I12		
3945	B16		
3946	B16		
3947	B16		
3948	B16		
3949	B16		
3952	D17		
3953	C13		
3955	H10		
3956	G16		
3957	H17		
3961	I12		
3962	I14		
3963	I15		
3965	B18		
5900	A17		
5903	B12		
6401	F16		
6901	B15		
6902	C17		
6903	E16		
6905	D16		
6906	D15		
6907	B12		
6909	G10		
6910	J19		
6911	A16		
6912	B18		
6913	C18		
6914	H18		
6915	C15		
6917	G11		
6918	I14		
6919	I16		
6920	J15		
6921	J15		
6922	J13		
6923	H15		
6924	J12		
6925	J12		
7403	F17		
7902	F14		
7904	A10		

ALIGNMENT TABLE

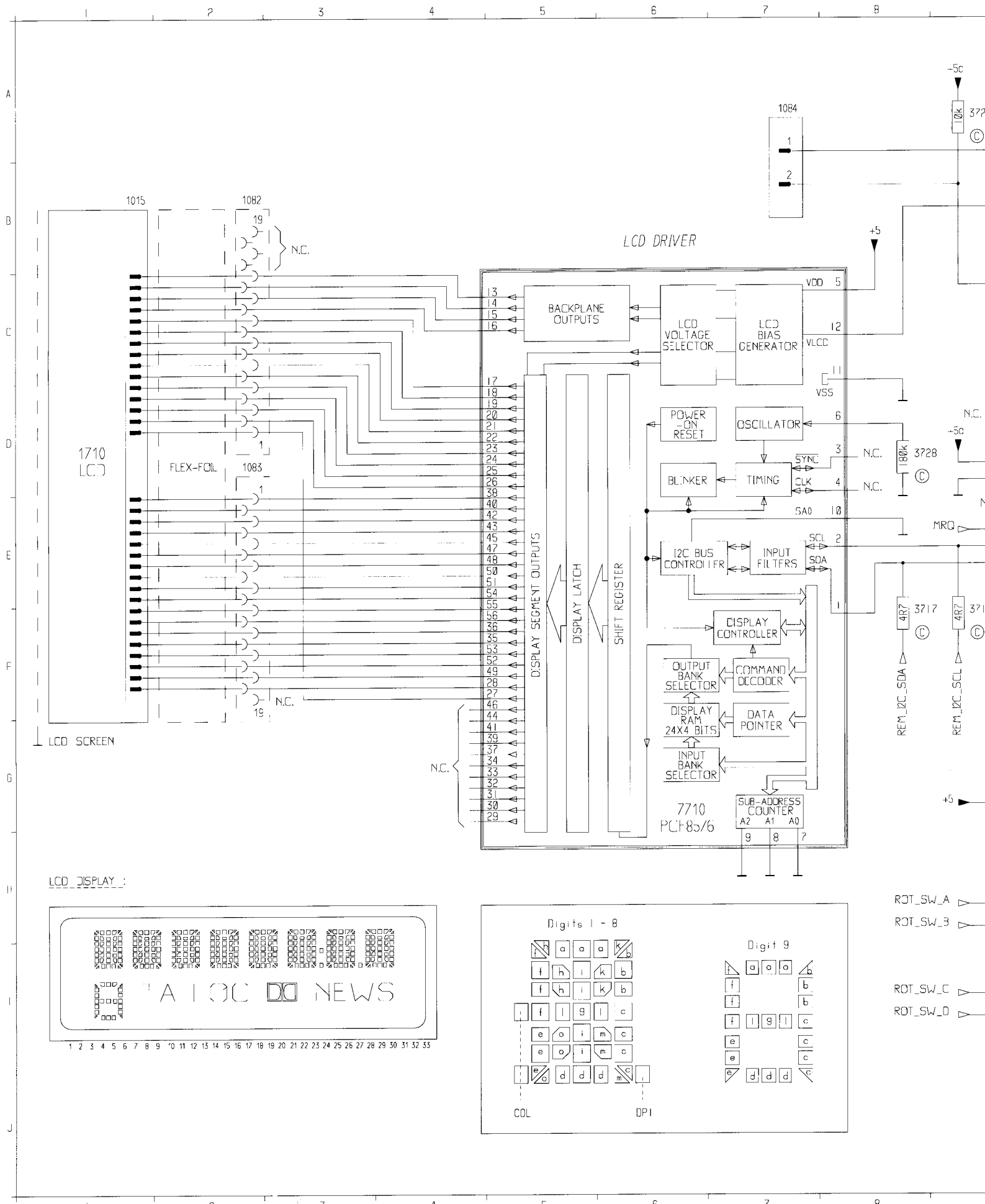
For more information see general information " General alignment procedures for car radio"

Alignment	SK					
RF Coil	FM	88MHz no signal	A		5201	5 1.35V±50mV DC
FM – RF	FM	88MHz, 44µV Unmodulated	A		5100	3 1.35V±50mV DC
RF Trimmer	FM	104MHz, 44µV Unmodulated	A		2226	3 Max. V DC
FM – IF	FM	98MHz, 44µV Unmodulated	A		5210 5209	3 Max. V DC
FM – IF	FM	98MHz, 44µV Unmodulated	A		5208	3 Max. V DC
AM – IF	AM	1053kHz, 44µV 1kHz, AM = 30%	B		5301	1 2 Max. V DC
SDS 10dB Crosstalk	FM	98MHz, 150µV Δf = 22.5kHz mod= 1kHz stereo - R	A		3303	L 2 – R 1 ≥ 10dB
Crosstalk	FM	98MHz, 1 mV Δf = 22.5kHz mod= 1kHz stereo - R	A		3320	L 2 – R 1 ≥ 30dB
α – 3 dB	FM	93 MHz, 1 mV Δ f = 22.5 kHz f mod. = 400 Hz	A			1 0 dB
		93 MHz, 5 µV Δ f = 22.5 kHz f mod. = 400 Hz				1 - 3 dB

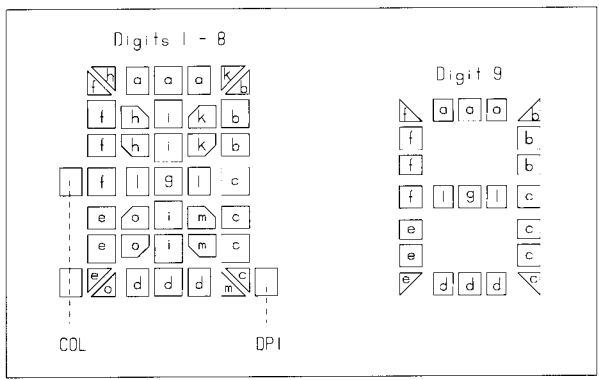
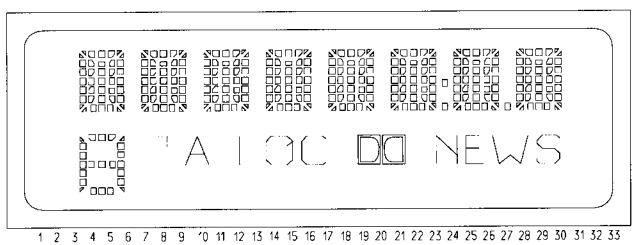
CHECK TABLE

Check	SK				Setting of controls	
VC – FM	FM	no signal		87.5MHz		4 ≥ 1.3VDC
				108MHz		4 ≥ 5.5VDC
VC – AM	LW	no signal		144 kHz		4 ≥ 1.6VDC
	MW			1611 kHz		4 ≤ 7VDC

PART 8 : LCD DRIVER & 2ND MICRO-CONTROLLER (SUB-PCB)

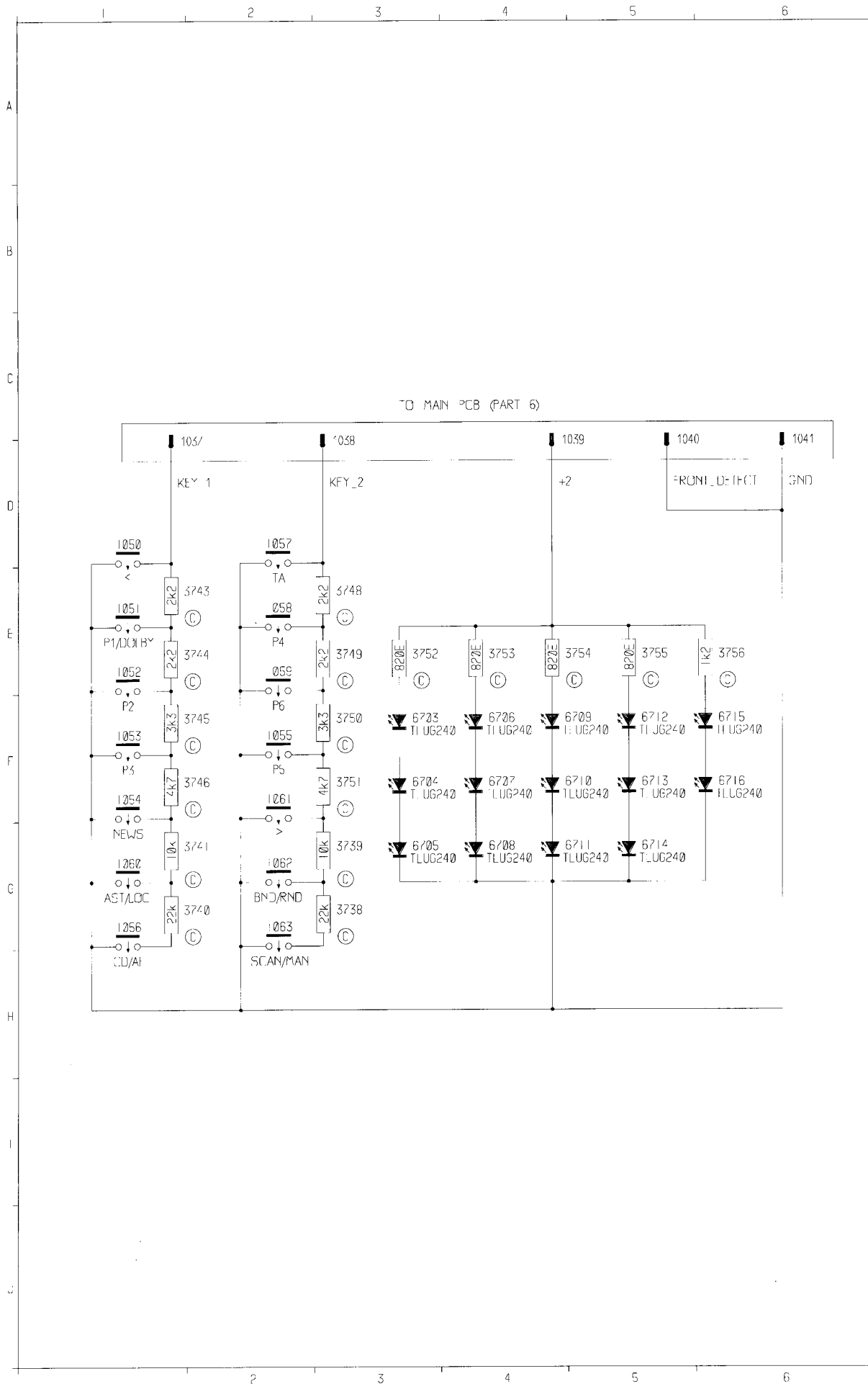


LCD_DISPLAY :



- ROT_SW_A
- ROT_SW_3
- ROT_SW_C
- ROT_SW_D

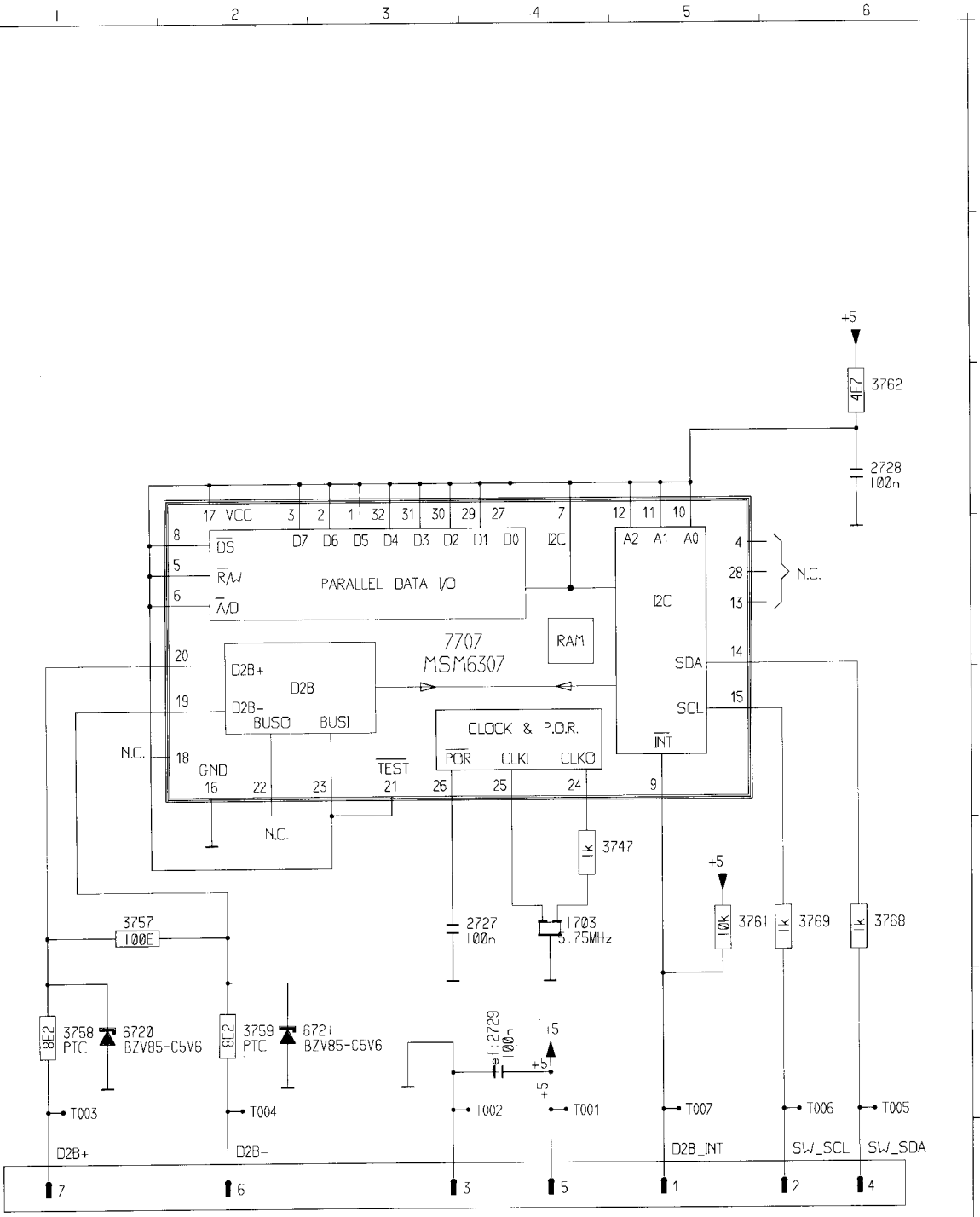
PART 9 : DETACHABLE KEYBOARD (SUB-PCB)



- 1037
- 1038
- 1039
- 1040
- 1041
- 1050
- 1051
- 1052
- 1053
- 1054
- 1055
- 1056
- 1057
- 1058
- 1059
- 1060
- 1061
- 1062
- 1063
- 3743
- 3744
- 3745
- 3746
- 3747
- 3748
- 3749
- 3750
- 3751
- 3752
- 3753
- 3754
- 3755
- 3756
- 6703
- 6704
- 6705
- 6706
- 6707
- 6708
- 6709
- 6710
- 6711
- 6712
- 6713
- 6714
- 6715
- 6716

PART 10 : D2B (SUB-PCB)

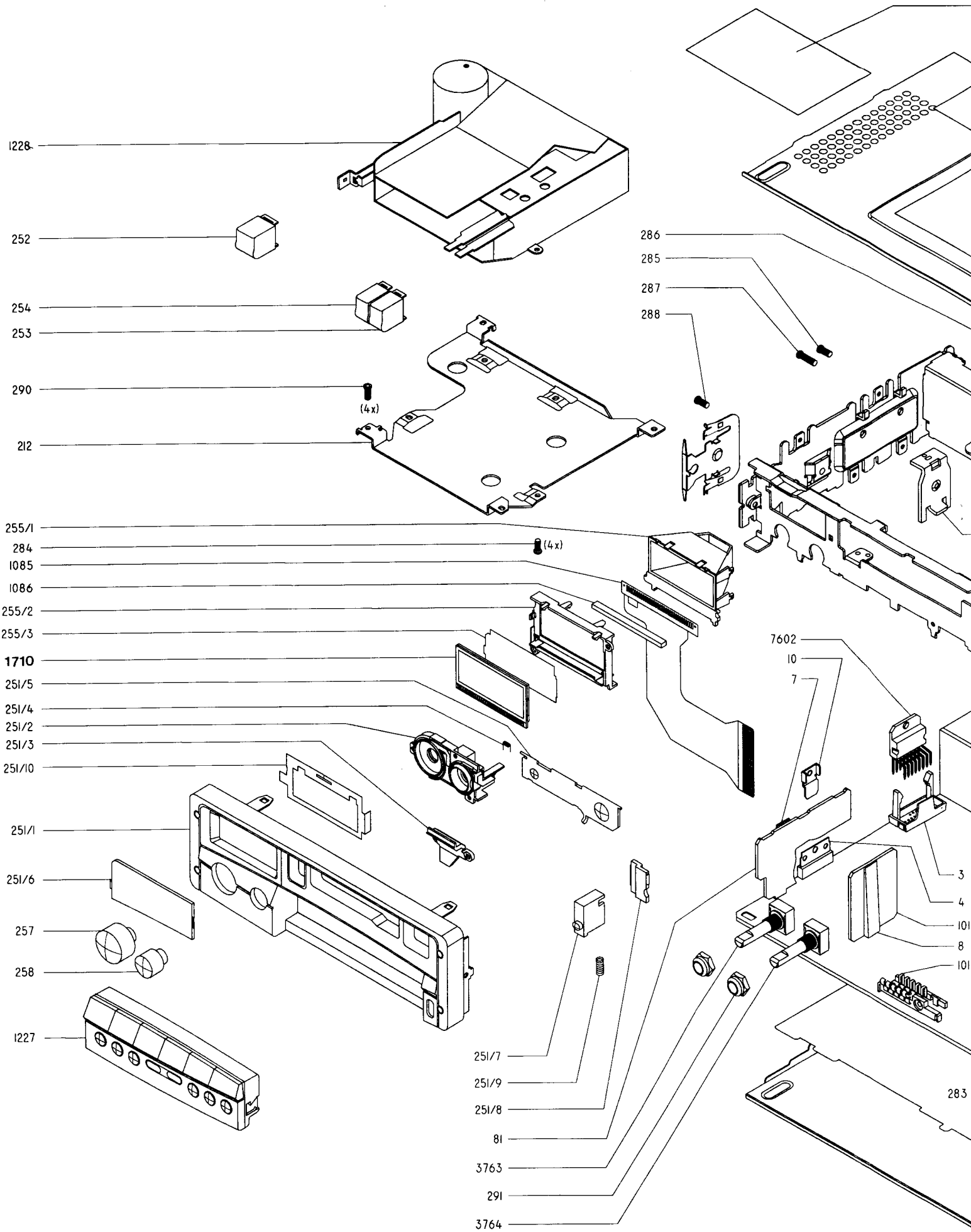
1703 F 4
 2727 F 4
 2728 F 4
 3747 F 4
 3757 F 4
 3758 F 4
 3759 F 4
 3761 F 4
 3762 F 4
 3768 F 4
 3769 F 4
 6720 G 6
 6721 G 6
 7707 D 3
 4

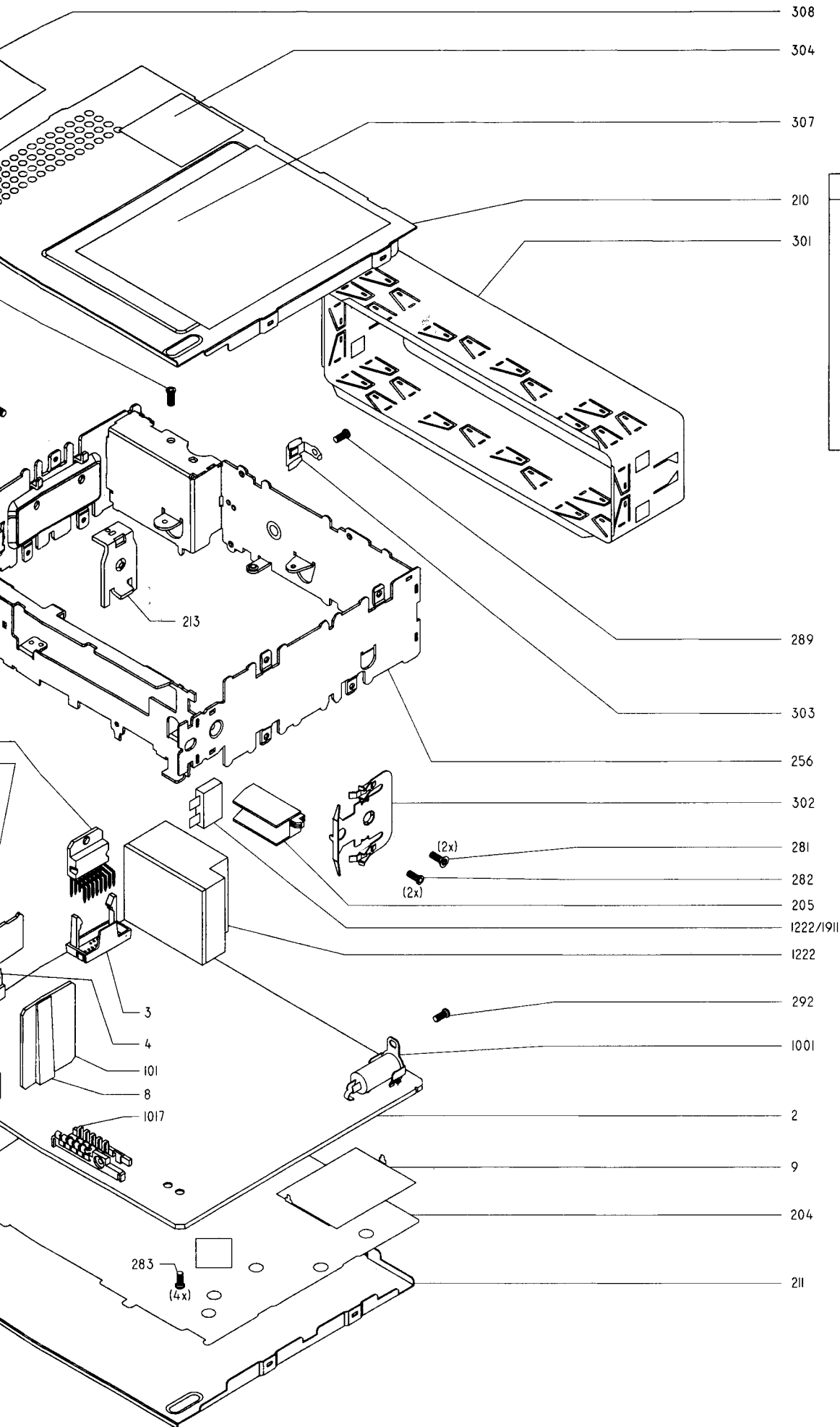


TO MAIN PCB (PART 5)

OPTION : D2B

EXPLODED VIEW



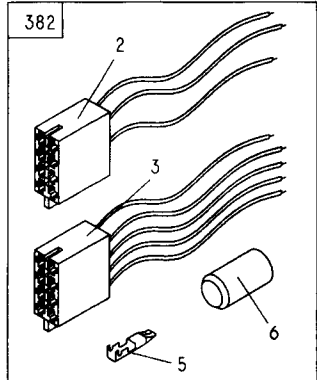


MECH

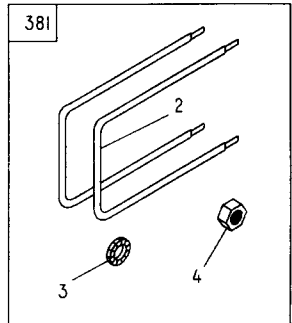
Only the
are con

- 11
- 11
- 11

- 205
- 251/1
- 251/1
- 251/1



- 251/4
- 251/5
- 251/5
- 251/5
- 251/6
- 251/7
- 251/8



- 252
- 253
- 254
- 257
- 258

- 301
- 302
- 303

- 381/2
- 382/2
- 382/3
- 382/6

- 1001
- 1085
- 1222
- 1222

- 1227
- 1227
- 1227
- 1228
- 1710

MECHANICAL AND MISCELLANEOUS PARTSLIST**List of Screws**

Only those parts of which the item number is stated below are considered Service parts.

11	4822 071 25002	Fuse blade 5A 32V - DC512
11	4822 071 27502	Fuse blade 7.5A 32V - DC522
11	4822 071 25002	Fuse blade 5A 32V - DC532
205	4822 423 41249	Protection cd change - DC532
251/1	4822 459 50844	Ornamental front assy - DC512
251/1	4822 459 50838	Ornamental front assy - DC522
251/1	4822 459 50842	Ornamental front assy - DC532
251/4	4822 492 42582	Spring flap
251/5	4822 443 64126	Flap cassette - DC512
251/5	4822 443 64124	Flap cassette - DC522
251/5	4822 443 64125	Flap cassette - DC532
251/6	4822 381 11475	Lens assy
251/7	4822 410 63083	Button release
251/8	4822 404 21297	Support button release
252	4822 410 63084	Button eject assy
253	4822 410 63085	Button frw assy
254	4822 410 63086	Button frw assy
257	4822 410 63087	Knob volume assy
258	4822 410 63088	Knob bass assy
301	4822 423 90186	Sleeve
302	4822 492 71046	Spring mouting
303	4822 492 71421	Leafspring grounding - for DC522, DC532
381/2	4822 404 20437	Bracket mounting
382/2	4822 321 61695	Cable adaptor power
382/3	4822 321 61696	Cable adaptor L.S.
382/6	4822 532 11092	Buffer mounting
1001	4822 267 30883	Antenna socket
1085	4822 320 50341	Foil flex. LCD
1222	4822 290 81648	Connector block - DC512
1222	4822 290 61188	Connector block - DC522
1222	4822 290 61186	Connector block - DC532
1227	4822 459 50843	Detach keyboard assy - DC512
1227	4822 459 50839	Detach keyboard assy - DC522
1227	4822 459 50841	Detach keyboard assy - DC532
1228	4822 691 10421	Tapedeck CDS-36PS
1710	4822 130 91325	LCD-LP5559
	4822 736 21977	Direction for use
	4822 600 70758	Case detachable unit

281	TAPT CSK TORX SCR ST ZN M3X6
282	PAN TAP SCR ST ZN YE M2.5X 6
283	PAN TAP SCR ST ZN BLK M2.5X 6
284	PAN TAP SCR ST ZN YE M2.5X 6
285	PAN TAP SCR ST ZN YE M2.5X 6
286	PAN TAP SCR ST ZN YE M2.5X 6
287	TAPT TORX SCR ST ZN M3X10
288	PAN TAP SCR ST ZN YE M2.5X 6
289	PAN TAP SCR ST ZN YE M2.5X 6
290	PAN TAP SCR ST ZN YE M2.5X 6
291	NUT GUIDING AUTO-POSITIONNED
292	PAN TAP SCR ST ZN YE M2.5X 6

MAIN PCB

MISCELLANEOUS

1300	4822 242 81503	Filter Cer 450kHz
1301	4822 242 81701	10MHz7 SFE*MS3C10k
1302	4822 242 81701	10MHz7 SFE*MS3C10k
1303	4822 242 81701	10MHz7 SFE*MS3C10k
1500	4822 242 80259	Res X'TL 4.332MHz
1700	4822 242 81606	RES X'TL 12.00MHz
1701	4822 242 81607	RES X'TL 4.194304MHz
1900	4822 134 41181	Lamp 10mA T1.25
1901	4822 256 30483	Connector Lamp
4300	4822 242 81698	Res X'tl 61.5MHz

—||—

2002	4822 252 60125	Surge protector 200V
2010	5322 122 31944	3.9pF 5% 50V
2016	5322 122 32658	22pF 5% 50V
2100	5322 122 33063	2.2pF 5% 50V
2102	4822 122 33575	220pF 5%NPO 50V
2104	5322 122 34123	1nF 10% 50V
2105	5322 122 34123	1nF 10% 50V
2106	5322 122 34123	1nF 10% 50V
2121	4822 124 41017	10µF 16V 20%
2200	4822 122 33496	100nF 10% 63V
2201	5322 122 34098	10nF 10% 63V
2202	4822 122 33496	100nF 10% 63V
2203	5322 122 33063	2.2pF 5% 50V
2204	5322 126 10343	1.8pF 5% 63V
2205	5322 122 33446	3.3nF 10% 63V
2206	5322 122 33244	8.2pF 5%NPO 50V
2207	4822 126 11692	1µF 50V +80%-20%
2208	5322 122 32531	100pF 5% 50V
2209	5322 122 31946	27pF 10% 50V
2210	4822 122 33496	100nF 10% 63V
2211	4822 122 33216	270pF 5% 50V - DC512, DC522
2211	5322 122 31946	27pF 10% 50V - DC532
2212	5322 122 33446	3.3nF 10% 63V
2213	4822 122 33496	100nF 10% 63V
2214	5322 122 32654	22nF 10% 63V
2215	4822 122 33496	100nF 10% 63V
2217	4822 124 23279	22µF 20% 16V
2218	4822 126 11692	1µF 50V +80%-20%
2219	4822 124 23281	33µF 20% 16V
2220	4822 124 23281	33µF 20% 16V
2221	5322 122 32452	47pF 5% 63V
2223	5322 122 34098	10nF 10% 63V
2224	5322 122 34098	10nF 10% 63V
2226	4822 125 50668	CTRM 100V 3-11pF
2227	4822 126 10326	180pF 5% 63V - DC512, DC522
2227	5322 126 12506	56pF 2%NPO 63V - DC532

—||—

2228	5322 122 32287	4.7pF 5% 50V
2229	5322 122 32448	10pF 5% 50V
2230	4822 126 11692	1µF 50V +80%-20%
2231	5322 122 32448	10pF 5% 50V
2232	5322 122 32448	10pF 5% 50V
2233	5322 122 32967	5.6pF 10% 63V - DC532
2249	4822 124 80453	100µF 20% 10V
2272	5322 122 32654	22nF 10% 63V
2273	4822 126 11692	1µF 50V +80%-20%
2300	4822 126 11692	1µF 50V +80%-20%
2301	5322 122 32654	22nF 10% 63V
2302	4822 122 33496	100nF 10% 63V
2305	4822 122 33496	100nF 10% 63V
2306	4822 122 33496	100nF 10% 63V
2307	4822 122 33496	100nF 10% 63V
2308	4822 122 33496	100nF 10% 63V
2309	5322 122 34098	10nF 10% 63V
2310	5322 122 33446	3.3nF 10% 63V
2311	4822 126 12772	220nF 10% 25V
2312	4822 122 33514	68pF 5% 50V
2313	4822 126 12772	220nF 10% 25V
2314	5322 122 31866	6.8nF 10% 63V
2315	4822 122 33496	100nF 10% 63V
2316	4822 126 12772	220nF 10% 25V
2317	5322 122 31866	6.8nF 10% 63V
2318	5322 122 32654	22nF 10% 63V
2319	4822 122 33496	100nF 10% 63V
2320	4822 122 33496	100nF 10% 63V
2321	4822 122 33496	100nF 10% 63V
2322	4822 126 12772	220nF 10% 25V
2324	4822 126 12772	220nF 10% 25V
2325	5322 122 32654	22nF 10% 63V
2327	4822 124 22646	47µF 20% 16V
2328	4822 124 23279	22µF 20% 16V
2330	4822 122 33496	100nF 10% 63V
2332	4822 124 23281	33µF 20% 16V
2333	5322 122 34098	10nF 10% 63V
2340	5322 122 32448	10pF 5% 50V
2349	5322 122 34098	10nF 10% 63V
2402	5322 122 34098	10nF 10% 63V
2403	5322 122 34123	1nF 10% 50V
2404	5322 122 34123	1nF 10% 50V
2500	5322 122 31863	330pF 5% 50V
2501	5322 122 32268	470pF 10% 50V
2502	5322 126 10223	4.7nF 10% 63V
2503	4822 124 23504	2.2µF 20% 50V
2504	5322 122 32452	47pF 5% 63V
2506	4822 126 12772	220nF 10% 25V
2507	5322 122 34123	1nF 10% 50V
2508	4822 124 23504	2.2µF 20% 50V
2509	4822 124 23504	2.2µF 20% 50V
2510	4822 126 13196	100nF 10% 25V



2511	4822 126 13196	100nF 10% 25V
2512	5322 122 33538	150pF 2% 63V
2513	5322 122 33538	150pF 2% 63V
2514	4822 126 13196	100nF 10% 25V – DC522, DC532
2514	4822 126 12783	100nF 10% 25V – DC512
2515	5322 122 33538	150pF 2% 63V
2516	5322 122 33538	150pF 2% 63V
2520	5322 122 32268	470pF 10% 50V
2521	5322 122 34123	1nF 10% 50V
2522	5322 122 32654	22nF 10% 63V
2523	5322 122 32448	10pF 5% 50V
2527	5322 122 32268	470pF 10% 50V
2530	5322 122 32268	470pF 10% 50V
2531	4822 124 41017	10μF 16V 20%
2532	4822 124 41017	10μF 16V 20%
2533	4822 124 80453	100μF 20% 10V
2534	4822 124 80453	100μF 20% 10V
2535	4822 124 41017	10μF 16V 20%
2536	4822 124 23279	22μF 20% 16V
2537	5322 122 34098	10nF 10% 63V
2538	5322 122 34098	10nF 10% 63V
2539	4822 126 13188	15nF 5% 63V – DC522, DC532
2540	4822 126 13196	100nF 10% 25V – DC522, DC532
2541	4822 126 13196	100nF 10% 25V – DC522, DC532
2542	5322 121 42661	330nF 5% 63V – DC522, DC532
2543	5322 121 42661	330nF 5% 63V – DC522, DC532
2544	5322 126 12698	4nF 72% – DC522, DC532
2545	5322 126 12698	4nF 72% – DC522, DC532
2546	4822 126 13188	15nF 5% 63V – DC522, DC532
2551	4822 124 23282	1μF 20% 50V
2552	4822 124 23282	1μF 20% 50V
2553	4822 126 13196	100nF 10% 25V
2554	5322 122 32654	22nF 10% 63V
2555	5322 122 31865	1.5nF 10% 63V
2556	4822 124 23504	2.2μF 20% 50V
2557	5322 122 34123	1nF 10% 50V
2558	5322 126 10223	4.7nF 10% 63V
2559	5322 122 32654	22nF 10% 63V
2600	4822 124 23282	1μF 20% 50V
2601	4822 124 23282	1μF 20% 50V
2602	4822 124 23282	1μF 20% 50V
2603	4822 124 23282	1μF 20% 50V
2604	5322 126 10223	4.7nF 10% 63V



2605	5322 126 10223	4.7nF 10% 63V
2606	5322 126 10223	4.7nF 10% 63V
2607	5322 126 10223	4.7nF 10% 63V
2608	4822 124 22646	47μF 20% 16V
2612	4822 126 13196	100nF 10% 25V – DC522, DC532
2613	4822 126 13196	100nF 10% 25V
2614	5322 126 10223	4.7nF 10% 63V
2615	5322 126 10223	4.7nF 10% 63V
2616	5322 126 10223	4.7nF 10% 63V
2617	5322 126 10223	4.7nF 10% 63V
2620	4822 124 23281	33μF 20% 16V
2655	4822 124 23308	2200μF 20% 16V
2656	4822 124 23308	2200μF 20% 16V
2700	4822 124 23624	47μF 20% 16V – DC512, DC522
2700	4822 124 22646	47μF 20% 16V – DC532
2701	4822 122 32542	47nF 10% 63V
2702	5322 122 34123	1nF 10% 50V
2703	5322 122 32268	470pF 10% 50V
2704	4822 122 32542	47nF 10% 63V
2705	5322 126 12506	56pF 2%NPO 63V
2707	4822 124 41017	10μF 16V 20%
2708	4822 126 13196	100nF 10% 25V
2709	4822 126 13196	100nF 10% 25V
2710	5322 122 34123	1nF 10% 50V
2712	5322 122 32658	22pF 5% 50V
2714	5322 126 10223	4.7nF 10% 63V
2715	4822 122 32542	47nF 10% 63V
2716	4822 122 32542	47nF 10% 63V
2717	4822 122 32542	47nF 10% 63V
2718	4822 122 32542	47nF 10% 63V
2721	5322 122 32654	22nF 10% 63V
2722	5322 122 34123	1nF 10% 50V
2723	5322 122 32531	100pF 5% 50V
2724	5322 122 32531	100pF 5% 50V
2725	5322 122 32531	100pF 5% 50V
2726	5322 122 32531	100pF 5% 50V
2805	4822 126 13196	100nF 10% 25V
2806	4822 124 41017	10μF 16V – DC532
2807	5322 122 34123	1nF 10% 50V – DC532
2808	4822 124 23504	2.2μF 20% 50V – DC532
2809	4822 124 22646	47μF 20% 16V – DC532
2810	5322 122 34123	1nF 10% 50V – DC532
2811	4822 124 23504	2.2μF 20% 50V – DC532
2812	5322 122 32654	22nF 10% 63V
2813	4822 124 80453	100μF 20% 10V
2814	4822 126 13196	100nF 10% 25V
2815	4822 126 13196	100nF 10% 25V
2816	4822 122 33127	2.2nF 10% 63V
2817	4822 126 12772	220nF 10% 25V
2818	4822 122 32542	47nF 10% 63V

MAIN PCB



2819	4822 122 32646	5.6nF 10% 50V
2820	4822 124 22646	47μF 20% 16V
2821	4822 126 13196	100nF 10% 25V
2822	4822 126 13196	100nF 10% 25V
2823	4822 122 33127	2.2nF 10% 63V
2824	4822 126 12772	220nF 10% 25V
2825	4822 122 32542	47nF 10% 63V
2826	4822 122 32646	5.6nF 10% 50V
2827	5322 122 34098	10nF 10% 63V
2850	4822 124 41017	10μF 16V - DC522, DC532
2851	4822 124 41017	10μF 16V - DC522, DC532
2852	4822 124 41017	10μF 16V - DC522, DC532
2853	4822 124 41017	10μF 16V - DC522, DC532
2900	5322 122 34123	1nF 10% 50V
2902	4822 124 23308	2200μF 20% 16V
2904	4822 124 22646	47μF 20% 16V
2905	4822 126 13196	100nF 10% 25V
2906	4822 126 13196	100nF 10% 25V
2909	4822 124 23282	1μF 20% 50V
2911	4822 126 13196	100nF 10% 25V
2912	5322 122 34123	1nF 10% 50V
2913	4822 126 13196	100nF 10% 25V
2914	4822 124 80766	1000μF 20% 25V
2915	4822 124 22646	47μF 20% 16V
2916	4822 124 22646	47μF 20% 16V
2917	4822 124 22646	47μF 20% 16V - DC532
2917	4822 124 23624	47μF 20% 16V - DC512, DC522
2918	4822 124 80767	470μF 20% 16V
2919	4822 122 32542	47nF 10% 63V
2920	4822 124 41017	10μF 16V 20%
2921	5322 122 33446	3.3nF 10% 63V
2922	5322 122 34098	10nF 10% 63V
2928	5322 122 34098	10nF 10% 63V
2929	4822 124 41017	10μF 16V 20%
2930	5322 122 32654	22nF 10% 63V
2933	4822 124 22646	47μF 20% 16V
2935	5322 122 34098	10nF 10% 63V
2936	5322 122 34098	10nF 10% 63V





3000	4822 051 20102	1k 5% 0.1W
3001	4822 051 20102	1k 5% 0.1W
3003	4822 051 20008	0Ω Jumper
3101	4822 051 20473	47k 5% 0.1W
3102	4822 051 20471	470Ω 5% 0.1W






3103	4822 051 20229	22Ω 5% 0.1W
3104	4822 051 20478	4Ω7 5% 0.1W
3105	4822 051 20229	22Ω 5% 0.1W
3106	4822 051 20478	4Ω7 5% 0.1W
3107	4822 051 20225	2M2 5% 0.1W
3108	4822 051 20104	100k 5% 0.1W
3110	4822 051 20229	22Ω 5% 0.1W
3200	4822 051 20392	3k9 5% 0.1W
3201	4822 051 20222	2k2 5% 0.1W
3202	4822 051 20103	10k 5% 0.1W
3203	4822 051 20221	220Ω 5% 0.1W
3204	4822 051 20471	470Ω 5% 0.1W
3205	4822 051 20471	470Ω 5% 0.1W
3206	4822 051 20101	100Ω 5% 0.1W
3207	4822 051 20473	47k 5% 0.1W
3208	4822 051 20103	10k 5% 0.1W
3209	4822 051 20103	10k 5% 0.1W
3210	4822 051 20225	2M2 5% 0.1W
3211	4822 051 20479	47Ω 5% 0.1W
3212	4822 051 20229	22Ω 5% 0.1W
3213	4822 051 20478	4Ω7 5% 0.1W
3270	4822 051 20471	470Ω 5% 0.1W
3290	4822 051 20224	220k 5% 0.1W
3292	4822 051 20229	22Ω 5% 0.1W
3300	4822 051 20123	12k 5% 0.1W
3301	4822 051 20335	3M3 5% 0.1W
3302	4822 051 20333	33k 5% 0.1W
3303	4822 100 20166	10k 30%LIN 0.1W
3307	4822 051 20432	4k3 5% 0.1W
3308	4822 051 20224	220k 5% 0.1W
3309	4822 051 20823	82k 5% 0.1W
3310	4822 051 20684	680k 5% 0.1W
3313	4822 051 20124	120k 5% 0.1W
3314	4822 051 20564	560k 5% 0.1W
3315	4822 051 20684	680k 5% 0.1W
3316	4822 051 20225	2M2 5% 0.1W
3317	4822 051 20273	27k 5% 0.1W
3318	4822 051 20391	390Ω 5% 0.1W
3320	4822 100 11163	100k 30%LIN 0.1W
3321	4822 100 11163	100k 30%LIN 0.1W
3323	4822 051 20391	390Ω 5% 0.1W
3324	4822 051 20272	2k7 5% 0.1W
3325	4822 051 20101	100Ω 5% 0.1W
3326	4822 051 20391	390Ω 5% 0.1W
3327	4822 051 20681	680Ω 5% 0.1W
3341	4822 051 20479	47Ω 5% 0.1W
3348	4822 051 20681	680Ω 5% 0.1W
3349	4822 051 20223	22k 5% 0.1W
3350	4822 051 20102	1k 5% 0.1W
3351	4822 051 20333	33k 5% 0.1W
3409	4822 051 20473	47k 5% 0.1W
3410	4822 051 20103	10k 5% 0.1W

MAIN PCB

		
3624	4822 051 20223	22k 5% 0.1W – DC522, DC532
3625	4822 051 20478	4Ω7 5% 0.1W
3626	4822 051 20478	4Ω7 5% 0.1W
3627	4822 051 20478	4Ω7 5% 0.1W
3628	4822 051 20478	4Ω7 5% 0.1W
3629	4822 051 20478	4Ω7 5% 0.1W – DC512
3630	4822 051 20478	4Ω7 5% 0.1W – DC512
3701	4822 051 20102	1k 5% 0.1W
3702	4822 051 20473	47k 5% 0.1W
3704	4822 051 20101	100Ω 5% 0.1W
3705	4822 051 20102	1k 5% 0.1W
3706	4822 051 20102	1k 5% 0.1W
3708	4822 051 20478	4Ω7 5% 0.1W
3711	4822 051 20102	1k 5% 0.1W
3719	4822 051 20103	10k 5% 0.1W
3721	4822 051 20103	10k 5% 0.1W
3722	4822 051 20104	100k 5% 0.1W
3723	4822 051 20391	390Ω 5% 0.1W
3724	4822 051 20225	2M2 5% 0.1W
3725	4822 051 20222	2k2 5% 0.1W
3728	4822 051 20153	15k 5% 0.1W
3731	4822 051 20472	4k7 5% 0.1W
3732	4822 051 20472	4k7 5% 0.1W
3733	4822 051 20472	4k7 5% 0.1W
3734	4822 051 20472	4k7 5% 0.1W
3738	4822 051 20153	15k 5% 0.1W
3763	4822 100 12181	ROT Encoder 15P
3764	4822 100 12181	ROT Encoder 15P
3765	4822 051 20473	47k 5% 0.1W
3767	4822 051 20478	4Ω7 5% 0.1W
3770	4822 051 20102	1k 5% 0.1W
3771	4822 051 20103	10k 5% 0.1W
3773	4822 051 20102	1k 5% 0.1W
3800	4822 051 20229	22Ω 5% 0.1W – DC532
3801	4822 116 52283	4k7 5% 0.5W – DC532
3802	4822 051 20222	2k2 5% 0.1W – DC532
3803	4822 051 20101	100Ω 5% 0.1W – DC532
3804	4822 051 20472	4k7 5% 0.1W – DC532
3806	4822 051 20393	39k 5% 0.1W – DC532
3807	4822 051 20473	47k 5% 0.1W – DC532
3808	4822 051 20153	15k 5% 0.1W – DC532
3809	4822 051 20472	4k7 5% 0.1W – DC532
3810	4822 051 20222	2k2 5% 0.1W – DC532
3811	4822 051 20101	100Ω 5% 0.1W – DC532
3812	4822 051 20393	39k 5% 0.1W – DC532
3813	4822 051 20473	47k 5% 0.1W – DC532
3815	4822 051 20472	4k7 5% 0.1W – DC532
3816	4822 051 20334	330k 5% 0.1W
3817	4822 051 20393	39k 5% 0.1W
3818	4822 051 20473	47k 5% 0.1W
3819	4822 051 20222	2k2 5% 0.1W

		
3820	4822 051 20473	47k 5% 0.1W
3821	4822 051 20222	2k2 5% 0.1W
3822	4822 051 20102	1k 5% 0.1W
3823	4822 051 20102	1k 5% 0.1W
3824	4822 051 20393	39k 5% 0.1W
3826	4822 051 20104	100k 5% 0.1W
3827	4822 051 20222	2k2 5% 0.1W – DC532
3850	4822 051 20103	10k 5% 0.1W – DC522, DC532
3851	4822 051 20103	10k 5% 0.1W – DC522, DC532
3852	4822 051 20103	10k 5% 0.1W – DC522, DC532
3853	4822 051 20103	10k 5% 0.1W – DC522, DC532
3902	4822 051 20104	100k 5% 0.1W
3903	4822 051 20472	4k7 5% 0.1W
3904	4822 116 83863	1k 5% 0.5W
3905	4822 116 83863	1k 5% 0.5W
3906	4822 116 83863	1k 5% 0.5W
3907	4822 051 20103	10k 5% 0.1W
3908	4822 051 20103	10k 5% 0.1W
3909	4822 051 20393	39k 5% 0.1W
3910	4822 051 20224	220k 5% 0.1W
3911	4822 051 20224	220k 5% 0.1W
3912	4822 051 20222	2k2 5% 0.1W
3913	4822 116 52258	220k 5% 0.5W
3914	4822 051 20103	10k 5% 0.1W
3915	4822 051 20103	10k 5% 0.1W
3916	4822 051 20104	100k 5% 0.1W
3917	4822 051 20473	47k 5% 0.1W
3918	4822 051 20473	47k 5% 0.1W
3919	4822 051 20223	22k 5% 0.1W
3920	4822 051 20222	2k2 5% 0.1W
3921	4822 051 20224	220k 5% 0.1W
3922	4822 051 20184	180k 5% 0.1W
3924	4822 051 20473	47k 5% 0.1W
3928	4822 051 20103	10k 5% 0.1W
3929	4822 116 52285	470k 5% 0.5W
3930	4822 051 20104	100k 5% 0.1W
3931	4822 051 20473	47k 5% 0.1W
3932	4822 051 20104	100k 5% 0.1W
3933	4822 051 20224	220k 5% 0.1W
3934	4822 051 20102	1k 5% 0.1W
3935	4822 116 52283	4k7 5% 0.5W
3936	4822 051 20102	1k 5% 0.1W
3937	4822 051 20182	1k8 5% 0.1W
3938	4822 051 20102	1k 5% 0.1W
3939	4822 051 20182	1k8 5% 0.1W
3942	4822 051 20102	1k 5% 0.1W
3943	4822 051 20102	1k 5% 0.1W
3945	4822 051 20472	4k7 5% 0.1W

	
3949	4822 0
3952	4822 0
3955	4822 0
3956	4822 0
3957	4822 0
3961	4822 0
3962	4822 0
3963	4822 0
3984	4822 0
3995	4822 2
	
3707	4822 1
5100	4822 1
5200	4822 1
5201	4822 1
5202	4822 1
5202	4822 1
5202	4822 1
5203	4822 1
5205	4822 1
5206	4822 1
5207	4822 1
5208	4822 1
5209	4822 1
5210	4822 1
5211	4822 1
5212	4822 1
5301	4822 1
5302	4822 1
5700	4822 1
5701	4822 1
5702	4822 1
5900	4822 1
5903	4822 1
	
6100	4822 1
6102	4822 1
6200	5322 1
6401	5322 1
6500	5322 1
6506	4822 1
6507	5322 1
6702	4822 1
6705	4822 1
6706	4822 1
6800	5322 1



3949	4822 051 20102	1k 5% 0.1W
3952	4822 051 20101	100Ω 5% 0.1W
3955	4822 051 20473	47k 5% 0.1W
3956	4822 051 20103	10k 5% 0.1W
3957	4822 051 20222	2k2 5% 0.1W
3961	4822 051 20102	1k 5% 0.1W
3962	4822 051 20182	1k8 5% 0.1W
3963	4822 051 20102	1k 5% 0.1W
3984	4822 051 20478	4Ω7 5% 0.1W
3995	4822 253 30446	SM Fuse 2A 32V – DC532



3707	4822 157 71206	Inductor chip
5100	4822 157 71077	Coil Var. 57MHz
5200	4822 157 62593	Coil 220μH 10%
5201	4822 157 71074	Coil 1.5μH 10%
5202	4822 152 20679	Coil 22μH 10% – DC522
5202	4822 152 20679	Coil 22μH 10% – DC512
5202	4822 157 52983	Coil 22μH 10% – DC532
5203	4822 157 53473	Coil 1000μH 10%
5205	4822 157 52983	Coil 22μH 10% – DC532
5206	4822 157 71057	Coil Var. 47000μH 6%
5207	4822 157 71058	Coil Variable
5208	4822 156 21722	Coil Var. 10.7MHz
5209	4822 157 71055	Coil Var. 72.2MHz
5210	4822 157 71055	Coil Var. 72.2MHz
5211	4822 157 62552	Coil 2.2μH 10%
5212	4822 156 21719	Coil 1.5μH 10%
5301	4822 156 21724	Coil Var. 450kHz
5302	4822 157 71061	Coil Var. 10.7MHz
5700	4822 157 50961	Coil 22μH 10%
5701	4822 157 60122	Coil 4μ7 10%
5702	4822 157 60122	Coil 4μ7 10%
5900	4822 157 70839	Coil Assy
5903	4822 157 50961	Coil 22μH 10%



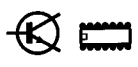
6100	4822 130 81711	1SV172
6102	4822 130 81643	BB804
6200	5322 130 34337	BAV99
6401	5322 130 31928	BAS16
6500	5322 130 34337	BAV99
6506	4822 130 30621	1N4148
6507	5322 130 34337	BAV99
6702	4822 130 82996	LED Red
6705	4822 130 80125	BZX84-C5V6
6706	4822 130 80125	BZX84-C5V6
6800	5322 130 31928	BAS16 – DC532



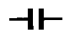


6801	5322 130 31928	BAS16
6901	4822 130 80291	1N4002GP
6902	5322 130 31928	BAS16
6903	5322 130 31928	BAS16
6905	4822 130 31024	BZX79-C18
6906	4822 130 30621	1N4148
6907	4822 130 80291	1N4002GP
6909	5322 130 31928	BAS16
6910	4822 130 80291	1N4002GP
6911	4822 130 80291	1N4002GP – DC512
6911	4822 130 80751	1S1885 A
		– DC522, DC532
6912	4822 130 80291	1N4002GP – DC532
6913	4822 130 80291	1N4002GP – DC532
6915	4822 130 34174	BZX79-C4V7
6916	4822 130 34488	BZX79-C11
6917	5322 130 34337	BAV99
6918	5322 130 31928	BAS16
6919	5322 130 31928	BAS16
6920	4822 130 82989	LED Orange
6921	4822 130 82989	LED Orange
6922	4822 130 82989	LED Orange
6924	4822 130 82989	LED Orange
6925	4822 130 82989	LED Orange



7100	4822 130 63545	BF999
7200	4822 130 83614	BB135
7201	4822 130 63534	PMBFJ309
7202	4822 209 33168	TEA6811V/C2/R1
7300	4822 209 33167	TEA6821T/V2
7301	4822 130 60887	BF840
7403	4822 130 42705	BC847
7500	4822 209 31981	SAA6579T/V1
7501	4822 209 83159	LA2000
7502	4822 209 32742	TL074IN
7503	4822 130 42705	BC847
7506	4822 130 44283	BC636
7509	4822 130 42705	BC847
		– DC522, DC532
7510	4822 209 33237	TEA0777T/V1
		– DC512
7511	4822 209 32744	TEA0675T/V1
		– DC522, DC532
7600	5322 209 14865	MC14066BCP
		– DC522, DC532
7601	4822 130 42705	BC847
		– DC522, DC532
7602	4822 209 31132	TDA7374V

		
7606	4822 130 42705	BC847 - DC522, DC532
7607	5322 130 41983	BC858B
7700	4822 209 33234	P83CE558EFB/011
7703	5322 130 41983	BC858B
7704	4822 900 10524	ST24C16CB6 - DC512
7704	4822 900 10525	ST24C16CB6 - DC522
7704	4822 900 10526	ST24C16CB6 - DC532
7708	5322 209 11461	HEF4521BT
7800	4822 209 32745	TEA6320/V1
7801	4822 130 42353	BFS19 - DC532
7802	4822 130 42353	BFS19 - DC532
7803	4822 130 42705	BC847
7804	5322 130 41983	BC858B
7902	4822 130 42705	BC847
7904	4822 130 40995	BD438/366B
7905	4822 130 42705	BC847
7906	5322 130 41983	BC858B
7907	4822 130 42705	BC847
7908	4822 130 60373	BC856B
7909	4822 130 42705	BC847
7910	4822 209 33029	TDA3602/N3
7913	5322 130 41983	BC858B
7918	4822 130 42705	BC847
7919	4822 130 40982	BD433
7921	4822 209 10305	HEF4044BT

LCD DRIVER PCB

MISCELLANEOUS		
1704	4822 242 81588	Res Cer 12MHz
		
2719	5322 122 34123	1nF 10% 50V
2729	4822 126 13196	100nF 10% 25V
2730	4822 126 13196	100nF 10% 25V
2731	4822 126 12772	220nF 10% 25V
2733	5322 122 33869	15pF 5% 63V
2734	5322 122 33869	15pF 5% 63V
2735	4822 126 13196	100nF 10% 25V
		
3710	4822 051 20103	10k 5% 0.1W
3715	4822 051 20109	10Ω 5% 0.1W
3716	4822 051 20103	10k 5% 0.1W
3717	4822 051 20478	4Ω7 5% 0.1W
3718	4822 051 20478	4Ω7 5% 0.1W
3728	4822 051 20184	180k 5% 0.1W
3732	4822 051 10008	0Ω 5% 0.25W
3736	4822 051 20104	100k 5% 0.1W
		
7702	4822 209 33511	P83C528FFB/078
7705	4822 209 33238	HEF4077BT
7710	5322 209 11129	PCF8576T

FRONT PCB

MISCELLANEOUS

1050	4822 276 13454	Tact switch 50mA 12V
1051	4822 276 13454	Tact switch 50mA 12V
1052	4822 276 13454	Tact switch 50mA 12V
1053	4822 276 13454	Tact switch 50mA 12V
1054	4822 276 13454	Tact switch 50mA 12V
1055	4822 276 13454	Tact switch 50mA 12V
1056	4822 276 13454	Tact switch 50mA 12V
1057	4822 276 13454	Tact switch 50mA 12V
1058	4822 276 13454	Tact switch 50mA 12V
1059	4822 276 13454	Tact switch 50mA 12V
1060	4822 276 13454	Tact switch 50mA 12V
1061	4822 276 13454	Tact switch 50mA 12V
1062	4822 276 13454	Tact switch 50mA 12V
1063	4822 276 13454	Tact switch 50mA 12V



3738	4822 051 20223	22k 5% 0.1W
3739	4822 051 20103	10k 5% 0.1W
3740	4822 051 20223	22k 5% 0.1W
3741	4822 051 20103	10k 5% 0.1W
3743	4822 051 20222	2k2 5% 0.1W
3744	4822 051 20222	2k2 5% 0.1W
3745	4822 051 20332	3k3 5% 0.1W
3746	4822 051 20472	4k7 5% 0.1W
3748	4822 051 20222	2k2 5% 0.1W
3749	4822 051 20222	2k2 5% 0.1W
3750	4822 051 20332	3k3 5% 0.1W
3751	4822 051 20472	4k7 5% 0.1W
3752	4822 051 20821	820Ω 5% 0.1W
3753	4822 051 20821	820Ω 5% 0.1W
3754	4822 051 20821	820Ω 5% 0.1W
3755	4822 051 20821	820Ω 5% 0.1W
3756	4822 051 20102	1k 5% 0.1W



6703	4822 130 82989	LED Orange
6704	4822 130 82989	LED Orange
6705	4822 130 82989	LED Orange
6706	4822 130 82989	LED Orange
6707	4822 130 82989	LED Orange
6708	4822 130 82989	LED Orange
6709	4822 130 82989	LED Orange
6710	4822 130 82989	LED Orange
6711	4822 130 82989	LED Orange
6712	4822 130 82989	LED Orange
6713	4822 130 82989	LED Orange
6714	4822 130 82989	LED Orange
6715	4822 130 82989	LED Orange
6716	4822 130 82989	LED Orange

D²B PCB (DC532 ONLY)

MISCELLANEOUS

1703	4822 242 81659	CST5.75MHz - DC532
------	----------------	--------------------



2727	5322 121 42386	100nF 5% 63V
2728	5322 121 42386	100nF 5% 63V



3747	4822 116 83863	1k 5% 0.5W
3757	4822 116 52175	100Ω 5% 0.5W
3758	4822 116 40221	PTC 8Ω 20%
3759	4822 116 40221	PTC 8Ω 20%
3761	4822 116 52233	10k 5% 0.5W
3762	4822 116 52176	10Ω 5% 0.5W
3768	4822 116 83863	1k 5% 0.5W
3769	4822 116 83863	1k 5% 0.5W



6720	4822 130 34173	BZX79-C5V6
6721	4822 130 34173	BZX79-C5V6



7707	4822 209 32743	MSM6307GS
------	----------------	-----------